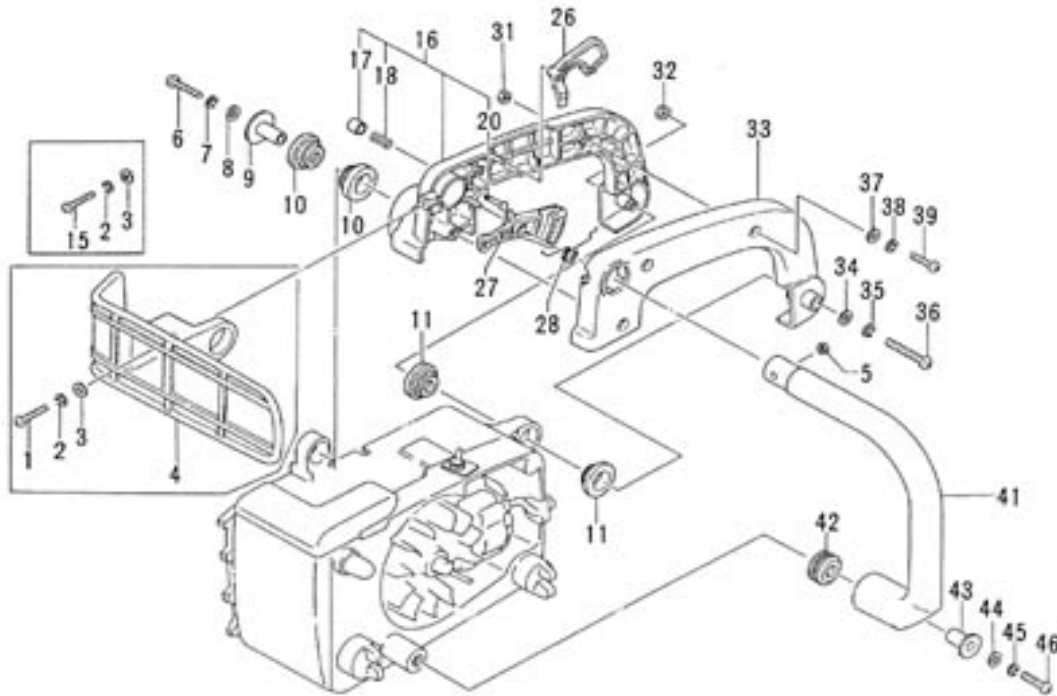


C02
11

ECS-320,320B HANDLE



Parts List

Ref.	Part No.	Description	Q'ty	Serial No.
001	990-11040-351	SCREW 4X35	1	
002	992-10040-012	S.WASHER 4	1	
003	992-01040-011	WASHER 4	1	
004	805-32710-80	FRONT HAND GUARD COMP.	1	
005	991-78040-010	NYLON LOCK NUT 4	1	
006	990-11050-351	SCREW 5X35	1	
007	992-10050-012	S.WASHER 5	1	
008	992-00050-011	SMALL WASHER 5	1	
009	275-32710-20	DAMPER COLLAR A	1	
010	219-32750-20	DAMPER A	4 -	J076310
010	219-32710-20	DAMPER A	2	J076311 -
011	219-32710-20	DAMPER A	2	J076311 -
015	990-11040-301	SCREW 4X30	1	
016	011-32710-80	REAR HANDLE B COMP.	1	
017	725-32600-20	PUSH PIN CAP	1	
018	066-32300-20	STOPPER SPRING	1	
020	064-32530-20	PUSH PIN	1	
026	257-32710-20	SAFETY LEVER	1	
027	060-32710-20	THROTTLE LEVER	1	
028	061-32710-20	THROTTLE LEVER SPRING	1	
031	991-01040-011	HEX. NUT 4	2	
032	991-01050-011	HEX. NUT 5	1	
033	010-32710-20	REAR HANDLE A	1	
034	992-00050-011	SMALL WASHER 5	1	
035	992-10050-012	S.WASHER 5	1	
036	990-11050-401	SCREW 5X40	1	
037	992-00040-011	SMALL WASHER 4	3	
038	992-10040-012	S.WASHER 4	3	
039	990-11040-181	SCREW 4X18	3	
041	209-32710-20	FRONT HANDLE	1	
042	266-32750-20	DAMPER B	1	
043	276-32710-20	DAMPER COLLAR B	1	
044	992-00050-011	SMALL WASHER 5	1	
045	992-10050-012	S.WASHER 5	1	
046	990-11050-301	SCREW 5X30	1	