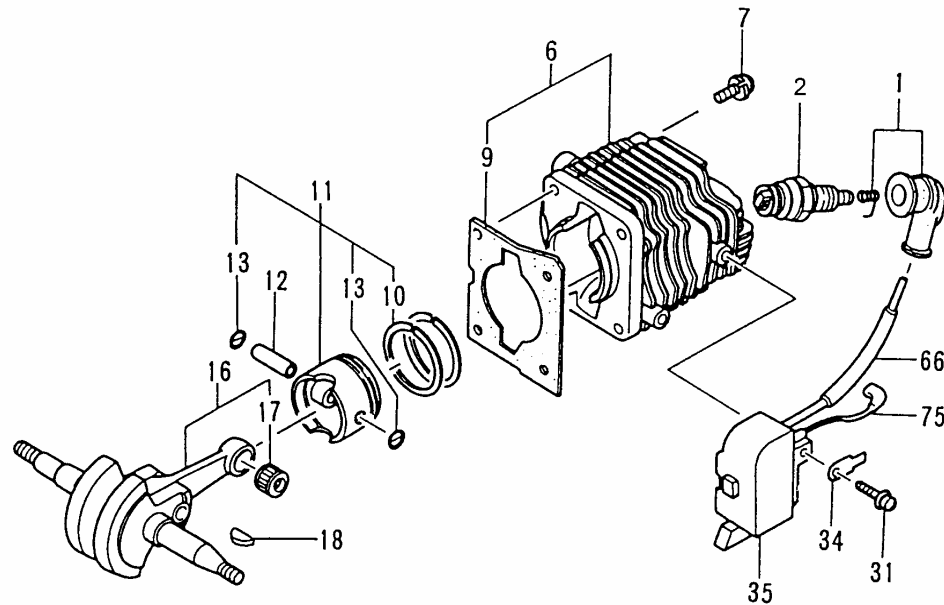
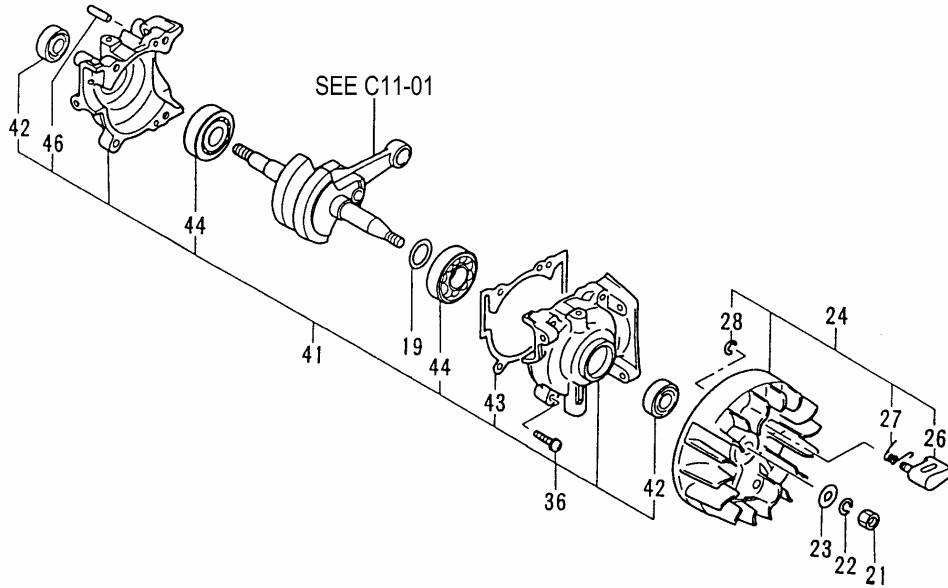


C11-01 ECS-3300/B/C/D CYLINDER/PISTON/CRANK SHAFT



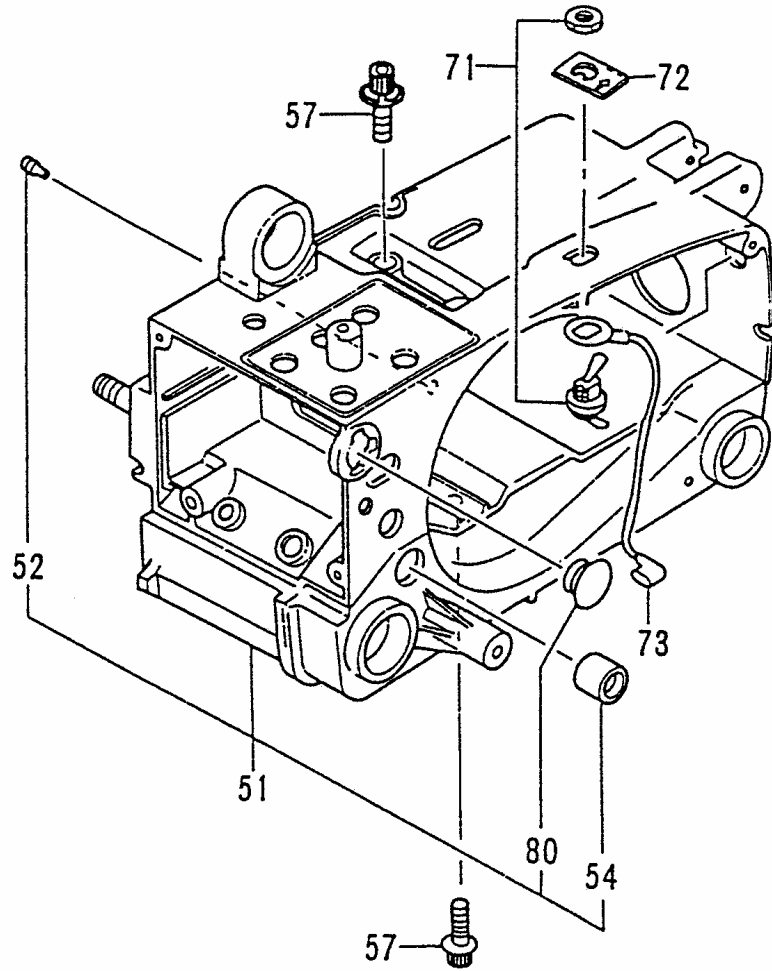
REF. NUMBER	PARTS NUMBER	DESCRIPTION	Q'TY	SERIAL NUMBER
001	157-11666-90	SPARK PLUG CAP ASS'Y	1	
002	018-01805-20	SPARK PLUG CJ8	1	
006	001-01740-90	CYLINDER SET	1	- T219461
006	001-01740-91	CYLINDER SET	1	T219462 -
007	994-61050-164	HEX. HOLE BOLT 5X16S	4	
009	017-01740-20	CYLINDER GASKET	1	
010	041-01730-20	PISTON RING	2	
011	030-01740-90	PISTON SET	1	- T219461
011	030-01741-90	PISTON SET	1	T219462 -
012	037-01400-20	PISTON PIN	1	
013	039-00000-20	PISTON PIN CIRCLIP	2	
016	046-01740-80	CRANK SHAFT COMP.	1	
017	999-62091-325	NEEDLE BRG F-910 1.4X8.5	1	
018	068-10100-20	WOOD-RUFF KEY 3X13X4.5	1	
031	994-16040-186	HIGH TENSION SCREW 4X18	2	
034	205-01700-20	TAB	1	
035	167-21529-80	IGNITION COIL COMP.	1	- S039107
035	167-21540-80	IGNITION COIL COMP.	1	S039108 -
066	755-32050-20	CORD INSULATOR TUBE	1	
075	178-01740-80	CORD, B 70M	1	

C11-02 ECS-3300/B/C/D CRANK CASE



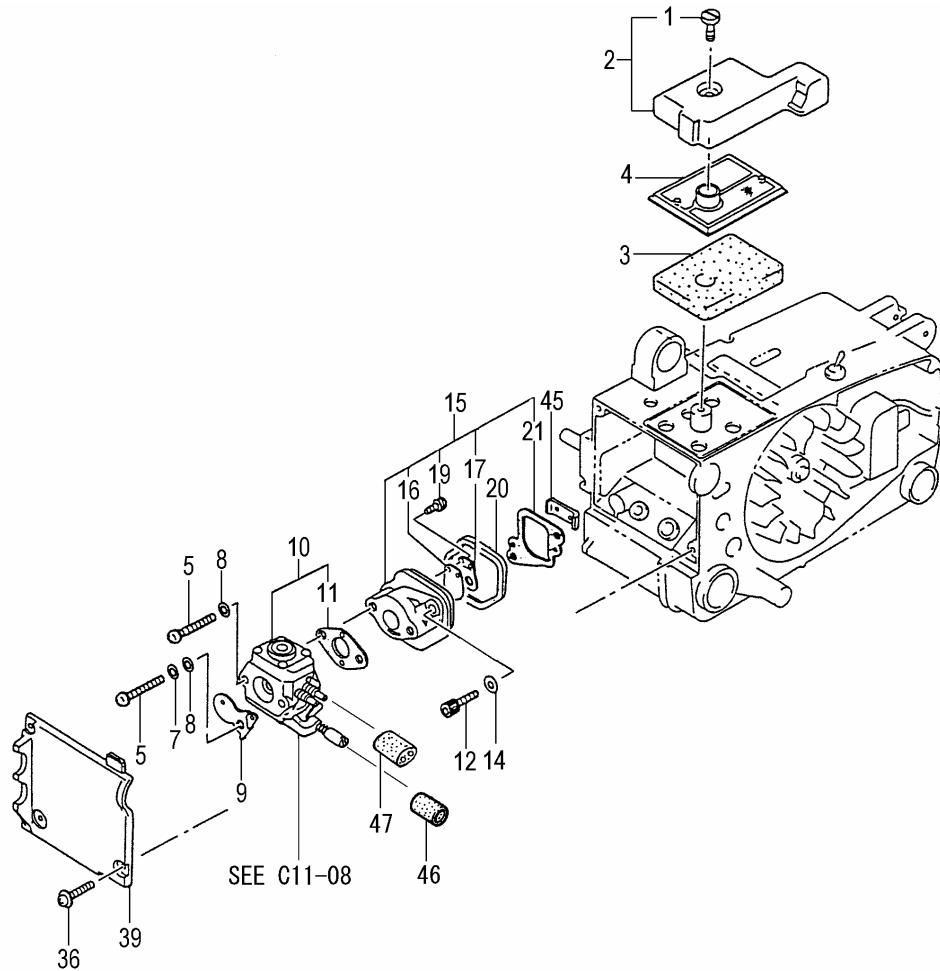
REF. NUMBER	PARTS NUMBER	DESCRIPTION	QTY	SERIAL NUMBER
019	071-04063-21	SHIM 0.1	V	
019	071-04063-23	SHIM 0.2	V	
019	071-04063-24	SHIM 0.3	V	
019	071-04063-25	SHIM 0.4	V	Y239951 -
021	066-00000-20	FLYWHEEL NUT 12	1	
022	992-10070-012	S.WASHER 7	1	
023	992-01070-011	WASHER 7	1	
024	155-21529-91	MAGNETO ROTOR ASS'Y	1	- S039107
024	155-21540-90	MAGNETO ROTOR ASS'Y	1	S039108 -
026	788-01740-20	STARTER PAWL	2	
027	790-01740-20	STARTER PAWL SPRING	2	
028	993-55040-001	STOP RING	2	
036	994-61050-204	HEX. HOLE BOLT 5X20/S	4	
041	072-01740-93	CRANK CASE ASS'Y	1	- C142900
041	072-01740-94	CRANK CASE ASS'Y	1	C142901 -
042	999-66122-200	OIL SEAL TB 12227	2	
043	090-01740-21	CRANK CASE GASKET	1	- Y156300
043	090-01741-20	CRANK CASE GASKET	1	- C142900
043	090-0174G-20	CRANK CASE GASKET	1	C142901 -
044	999-61620-106	BALL BEARING 6201 A2C3,32	2	
046	999-05250-980	NEEDLE ROLLER 2.5X9.8	1	

C11-03 ECS-3300/B/C/D ENGINE CASE



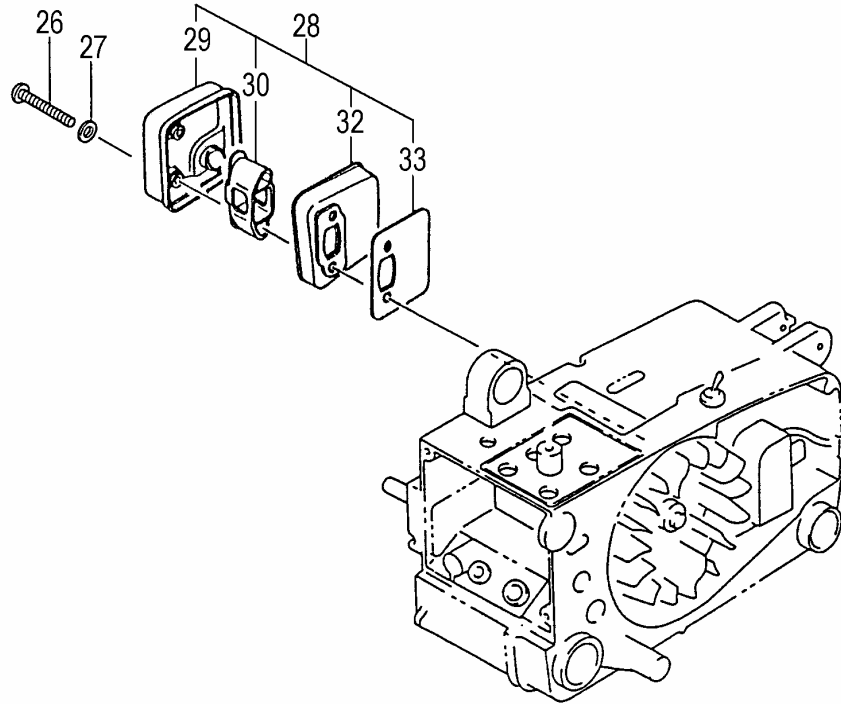
REF. NUMBER	PARTS NUMBER	DESCRIPTION	Q'TY	SERIAL NUMBER
051	560-32910-90	ENGINE CASE ASS'Y, VERM	1	- V031690
051	560-32942-90	ENGINE CASE ASS'Y, VERM	1	V031691 -
052	562-04060-20	AIR VENT VALVE B	1	
054	645-01750-90	AIR VENT VALVE SET	1	
057	994-63050-204	HEX.HOLE BOLT 5X20PS	4	
071	162-01570-90	STOP SWITCH ASS'Y	1	
072	183-01300-20	SWITCH NAME PLATE	1	
073	274-01700-80	EARTH CORD COMP.	1	
080	052-32900-21	GROMMET A	1	- V031690

C11-04 ECS-3300/B/C/D AIR CLEANER



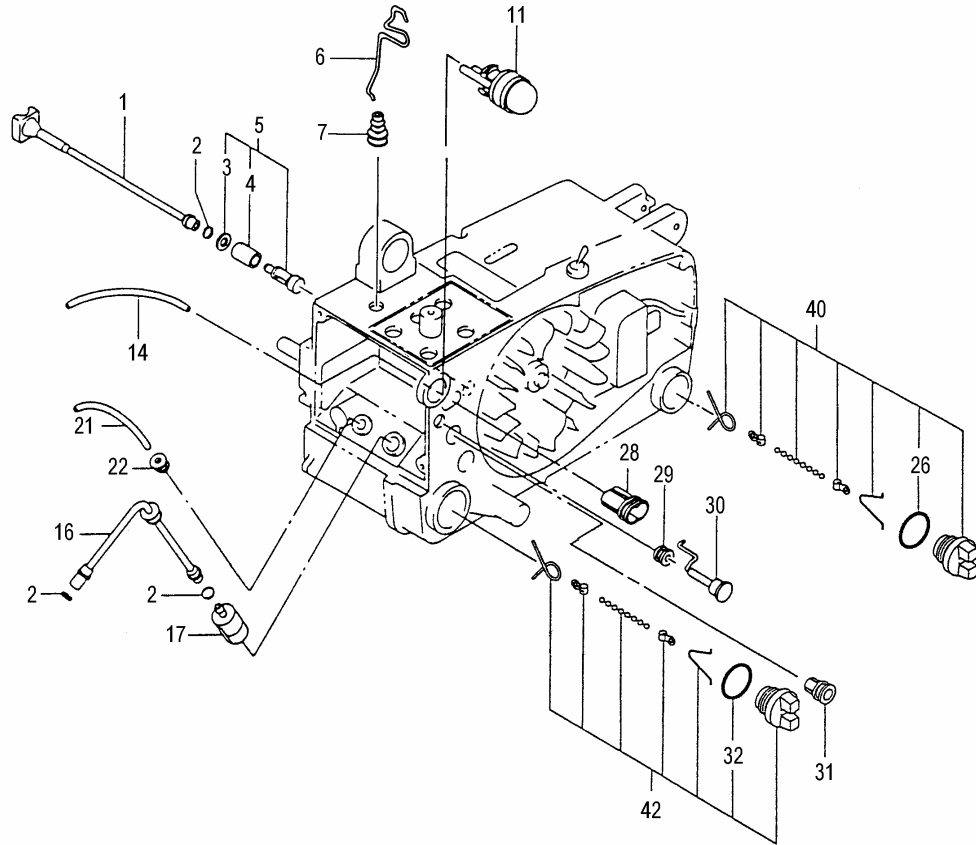
REF. NUMBER	PARTS NUMBER	DESCRIPTION	QTY	SERIAL NUMBER
001	380-0631A-20	CLEANER COVER BOLT	1	
002	051-32900-91	CLEANER COVER A SET, SP	1	
003	446-01740-20	AIRCLEANER SPONGE	1	R121601 -
004	420-01740-80	AIRCLEANER ELEMENT COM	1	
005	994-14050-451	SCREW 5X45S	2	
007	992-00050-011	SMALL WASHER 5	1	
008	708-32350-20	CHOKE VALVE SHIM	2	
009	700-32918-20	CHOKE VALVE	1	
010	455-32911-90	CARBURETOR SET WT516	1	- V031690
010	455-32915-90	CARBURETOR SET, WT-517	1	V031691 -
011	402-01740-20	CARBURETOR GASKET	1	
012	994-61050-204	HEX. HOLE BOLT 5X20/S	2	
014	992-00050-011	SMALL WASHER 5	2	
015	404-01740-91	CARBURETOR INSULATOR S	1	- C142900
015	404-0174G-90	INSULATOR SET	1	C142901 -
016	394-01700-20	REED VALVE	1	- C142900
016	394-0174G-20	REED VALVE	1	C142901 -
017	395-01730-20	REED VALVE HOLDER, STN	1	- C142900
017	395-0174G-20	VALVE HOLDER	1	C142901 -
019	990-15030-121	BINDING HEAD SCREW 3X12	2	
020	409-01700-20	CARBURETOR INSULATOR P	1	
021	403-01740-21	INLET MANIFOLD GASKET	1	- C142900
021	403-0174G-20	INSULATOR GASKET	1	C142901 -
036	990-75045-144	TAPPING SCREW 4.5X14	3	
039	152-3290J-21	AIRCLEANER COVER B	1	
045	129-01730-20	SEAL COVER	1	
046	191-32970-20	IDLE SPONGE 25L	1	Z001101 -
047	191-32964-20	SPONGE H/L 10L	1	Z001101 -

C11-05 ECS-3300/B/C/D MUFFLER



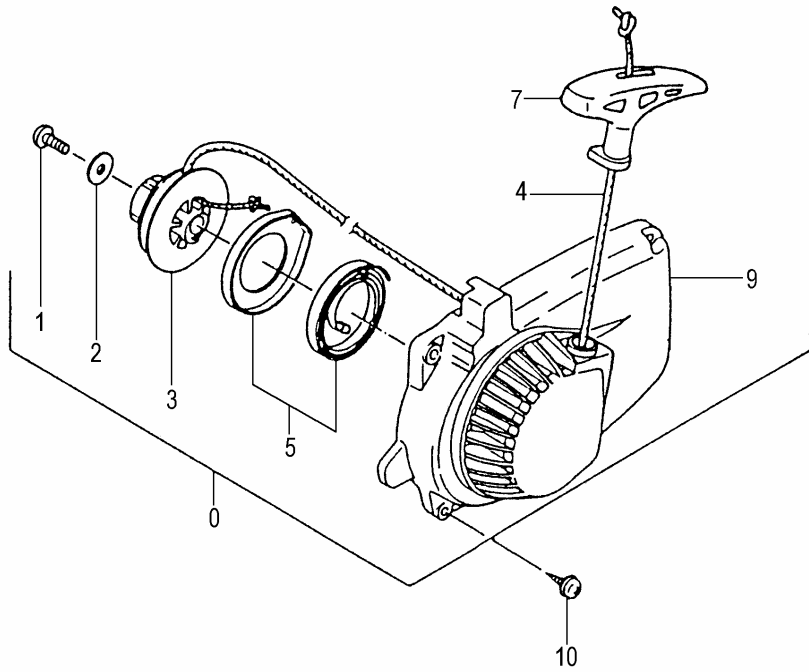
REF. NUMBER	PARTS NUMBER	DESCRIPTION	Q'TY	SERIAL NUMBER
026	990-11050-351	SCREW 5X35	2	
027	992-01050-011	WASHER 5	2	
028	704-01740-90	MUFFLER SET	1	
029	717-01712-80	MUFFLER BODY B COMP.	1	
030	724-01700-20	MUFFLER FITTING METAL	1	
032	716-01700-80	MUFFLER BODY A COMP.	1	
033	737-01700-20	MUFFLER GASKET	1	

C11-06 ECS-3300/B/C/D FUEL/OIL FILTER



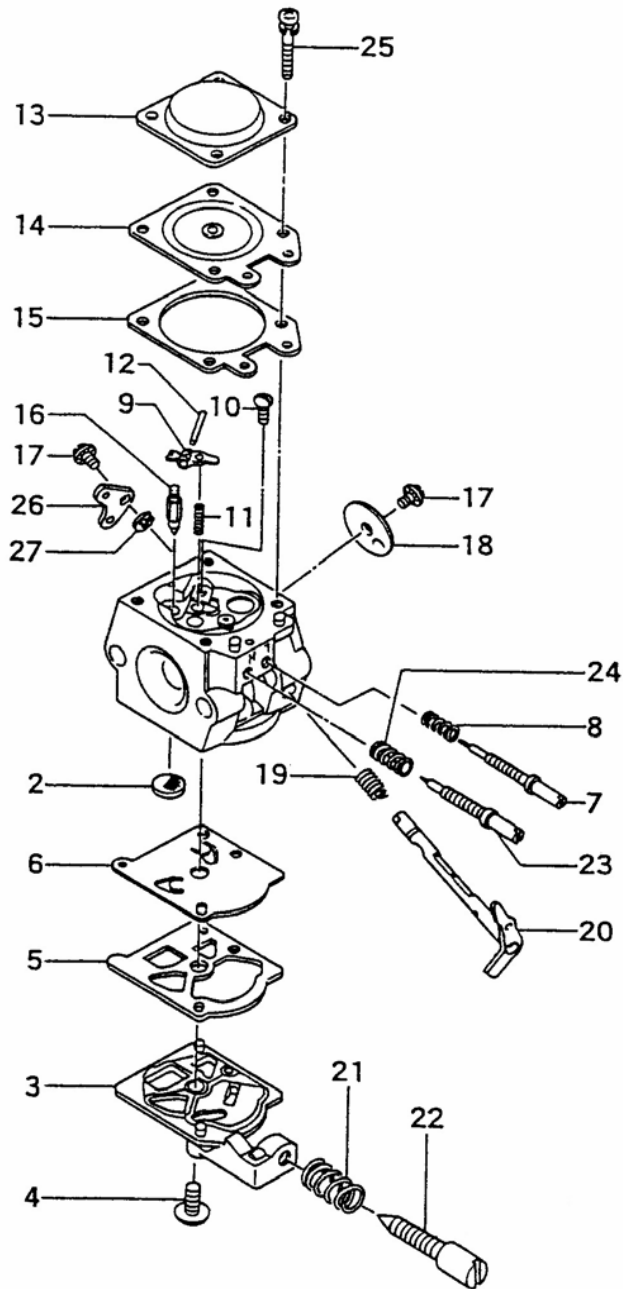
REF. NUMBER	PARTS NUMBER	DESCRIPTION	Q'TY	SERIAL NUMBER
001	505-32710-20	OIL PIPE B	1	
002	680-04019-21	CLIP 7	3	
003	992-01050-011	WASHER 5	1	
004	487-32712-20	OIL FILTER	1	
005	486-32710-90	OIL FILTER BODY ASS'Y	1	
006	490-32910-20	THROTTLE ROD	1	
007	491-32710-20	THROTTLE GUIDE	1	
011	442-25143-80	PRIMING PUMP COMP.	1	V031691 -
014	700-02504-04	FUEL PIPE 2.5X4X42	1	V031691 -
016	678-01740-20	RUBBER PIPE	1	
017	675-11600-90	PUMP FILTER BODY ASS'Y	1	
021	700-02504-15	FUEL PIPE 2.5X4X150	1	V031691 -
022	534-32710-20	RETURN GROMMET	1	V031691 -
026	999-67018-000	O-RING P-18	1	
028	190-32710-20	ADJUSTER CAP	1	
029	707-32710-20	GROMMET	1	
030	704-32710-80	CHOKE BUTTON COMP.	1	
031	191-32710-20	GROMMET	1	
032	999-67020-000	O-RING P-20	1	
040	642-32719-90	OIL TANK CAP ASS'Y	1	
042	635-32719-90	FUEL TANK CAP ASS'Y	1	

C11-07 ECS-3300/B/C/D RECOIL STARTER



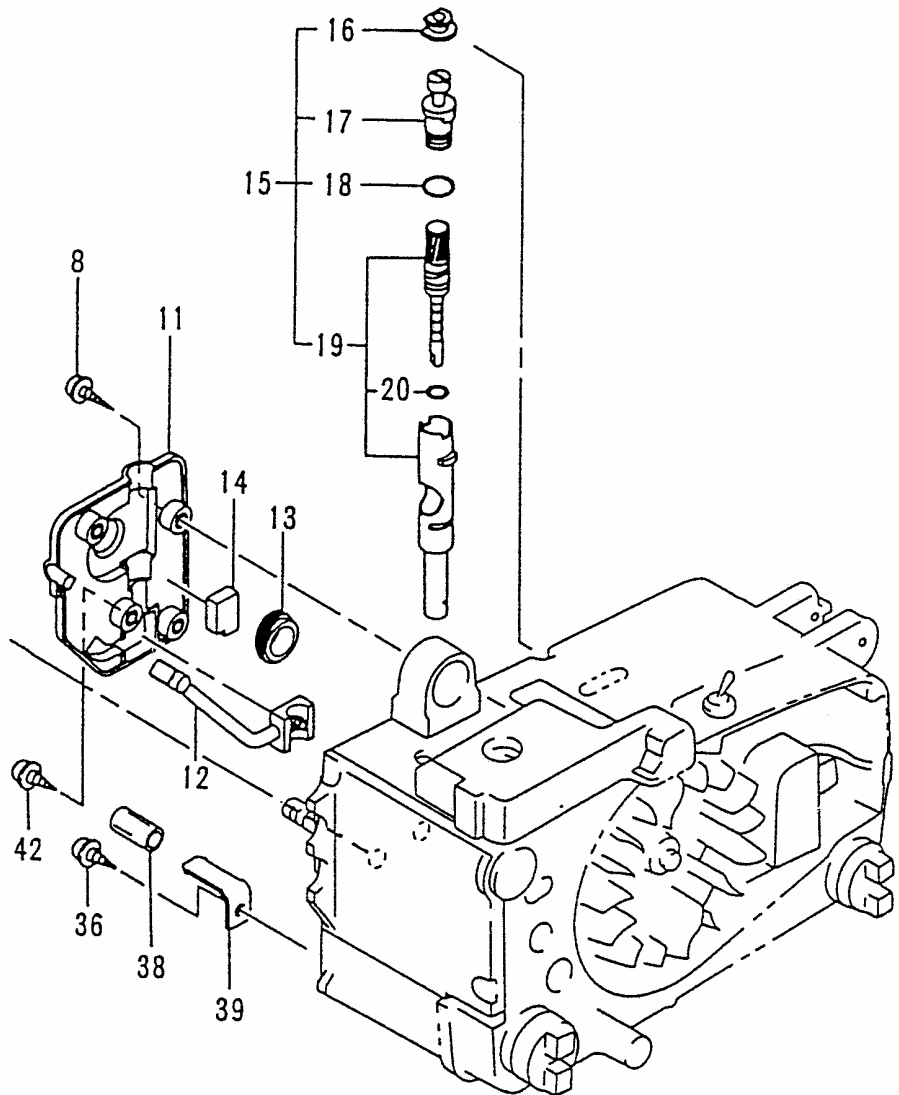
REF. NUMBER	PARTS NUMBER	DESCRIPTION	Q'TY	SERIAL NUMBER
000	756-01740-90	RECOIL STARTER ASS'Y, BL	1	
001	990-72050-144	TAPPING SCREW 5X14	1	
002	368-32350-20	BRAKE SHAFT WASHER	1	
003	774-01740-20	STARTER PULLEY	1	
004	783-01740-20	STARTER ROPE 3X890	1	
005	778-01740-90	RECOIL SPRING CASE	1	
007	785-01740-20	STARTER HANDLE	1	
009	112-01740-80	FANCASE COMP.,BLACK	1	
010	990-72045-204	TAPPING SCREW 4.5X20	4	

C11-08 ECS-3300/B/C/D CARBURETOR



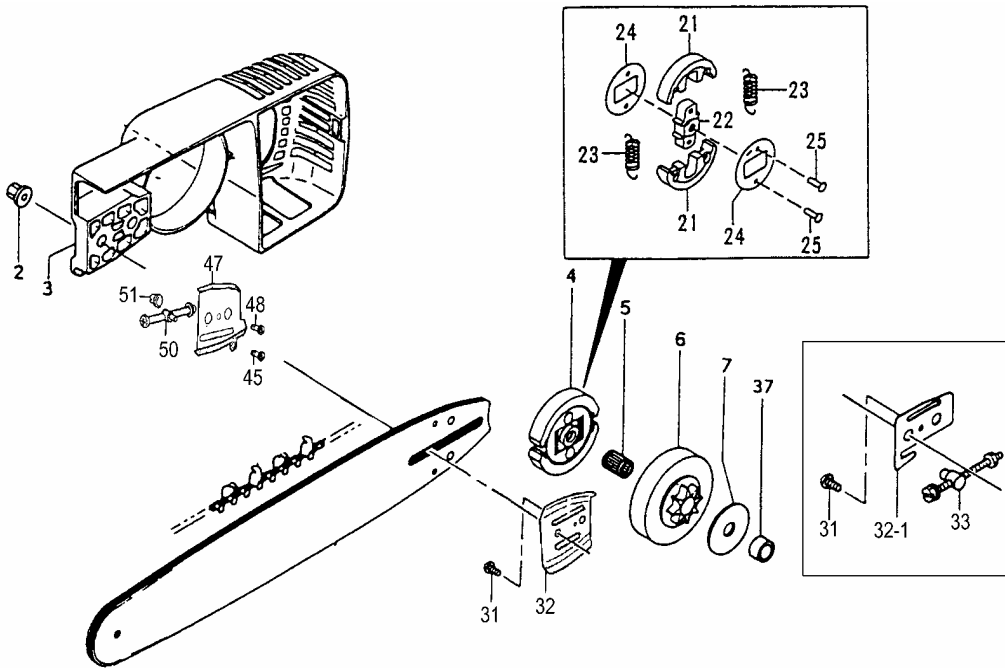
REF. NUMBER	PARTS NUMBER	DESCRIPTION	QTY	SERIAL NUMBER
002	578-25007-20	INLET SCREEN	1	
003	575-25028-20	PUMP BODY	1	
004	514-25001-20	SET SCREW	1	
005	577-25007-20	PUMP GASKET	1	
006	576-25006-20	PUMP DIAPHRAGM	1	
007	461-25027-20	LOW ADJUST SCREW	1	
008	623-25032-20	HIGH/LOW ADJUST SPRING	1	
009	473-25001-20	VALVE HINGE	1	
010	546-25001-20	HINGE PIN SET SCREW	1	
011	477-25013-20	VALVE SPRING	1	- S195257
011	477-25080-20	VALVE SPRING	1	- V075665
011	477-25088-20	VALVE SPRING	1	V075666 -
012	605-25001-20	HINGE PIN	1	
013	476-25004-20	DIAPHRAGM COVER	1	
014	474-25001-80	METERING DIAPHRAGM CO	1	
015	475-25038-20	DIAPHRAGM GASKET	1	
016	603-25001-20	NEEDLE VALVE	1	- S195257
016	603-25012-20	NEEDLE VALVE	# 1	S195258 -
017	467-25003-20	SHUTTER SCREW	2	
018	488-25001-20	THROTTLE VALVE	1	- S195257
018	488-25007-20	THROTTLE VALVE	1	S195258 -
019	486-25040-20	THROTTLE SPRING	1	
020	464-25016-80	THROTTLE SHAFT COMP.	1	- T103834
020	464-25098-80	THROTTLE SHAFT COMP.	1	T103835 -
021	463-25006-20	IDLE ADJUST SPRING	1	
022	462-25016-20	IDLE ADJUST SCREW	1	
023	460-25027-20	HIGH ADJUST SCREW	1	
024	485-25040-20	HIGH ADJUSTMENT SPRING	1	
025	548-25012-20	SET SCREW	4	
026	491-25085-20	THROTTLE LEVER	1	
027	489-25007-20	STOP RING	1	

C11-09 ECS-3300/B/C/D OIL PUMP



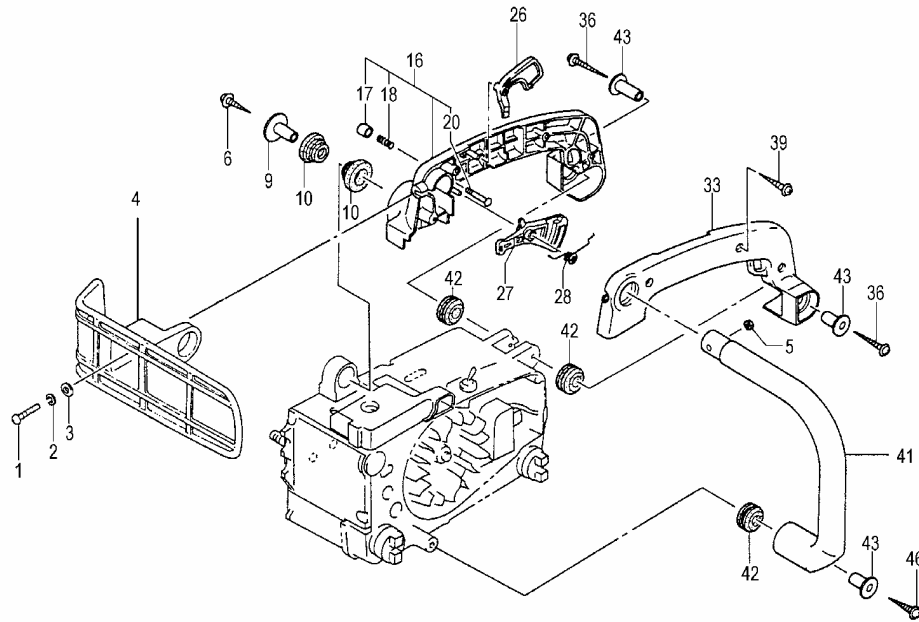
REF. NUMBER	PARTS NUMBER	DESCRIPTION	QTY	SERIAL NUMBER
008	994-16050-141	SCREW 5X14/WS	2	
011	097-32900-20	OIL PUMP COVER	1	
012	515-32710-20	OIL PIPE A	1	
013	084-32900-20	SCREW GEAR	1	
014	567-01700-20	AIR VENT SPONGE	1	
015	144-32902-90	OIL PUMP ASS'Y	1	
016	488-32710-21	OIL ADJUST GROMMET	1	
017	501-32710-21	OIL PUMP ADJUSTER	1	
018	999-67006-000	O-RING P-6	1	
019	088-3277A-91	OIL PUMP CASE SET, SPARE	1	
020	999-67006-000	O-RING P-6	1	
036	990-72050-144	TAPPING SCREW 5X14	1	
038	700-07105-02	VINYL PIPE 7X10.5X20	1	
039	125-32710-20	CHAIN CATCHER	1	
042	990-75045-144	TAPPING SCREW 4.5X14	2	

C11-10 ECS-3300/B/C/D CLUTCH/CHAIN BRAKE



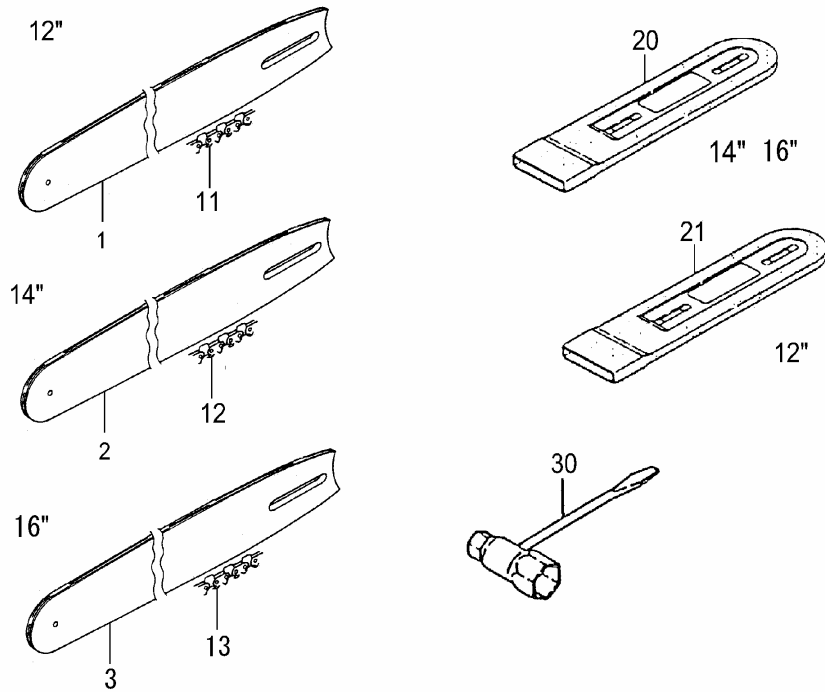
REF. NUMBER	PARTS NUMBER	DESCRIPTION	QTY	SERIAL NUMBER
002	121-32530-20	CHAIN BAR CLAMP NUT	1	
003	040-32910-80	SIDE CASE COMP., BLACK	1	- C142900
003	040-32910-81	SIDE CASE COMP., BLACK	1	C142901 -
004	287-01700-81	CLUTCH COMP.	1	
005	999-62101-301	NEEDLE BRG 101310 1.5X7.5	1	
006	310-32900-20	CLUTCH HOUSING COMP.3/4	1	
007	358-04050-20	CLUTCH WASHER	1	
021	345-01700-20	CLUTCH SHOE	2	
022	346-01700-20	CLUTCH BOSS	1	
023	342-01700-20	CLUTCH SPRING	2	
024	348-01700-21	CLUTCH PLATE A	2	
025	992-74004-143	RIVET 4X14	2	
031	993-41040-101	SCREW 4X10	1	
032,1	466-32710-21	PLATE	1	- C142900
032	461-32908-20	GUIDE PLATE A	1	C142901 -
033	116-32710-90	TENSION ADJUSTMENT BOL	1	- R251718
033	116-32735-90	TENTION ADJUSTMENT BOL	1	R251719 -
033	116-32735-90	TENTION ADJUSTMENT BOL	1	- C142900
037	511-32900-20	CRANK SHAFT COLLAR 7.7	1	
045	993-41040-101	SCREW 4X10	1	C142901 -
047	462-32911-20	GUIDE PLATE B	1	C142901 -
048	993-30026-050	SCREW 2.6X5	1	C142901 -
050	116-32911-80	TENSIONER BOLT COMP.	1	C142901 -
051	301-72000-20	GEAR A	1	C142901 -

C11-11 ECS-3300/B/C/D HANDLE



REF. NUMBER	PARTS NUMBER	DESCRIPTION	Q'TY	SERIAL NUMBER
001	990-11040-351	SCREW 4X35	1	
002	992-10040-012	S.WASHER 4	1	
003	992-01040-011	WASHER 4	1	
004	805-32710-80	FRONT HAND GUARD COMP	1	
005	991-78040-010	NYLON LOCK NUT 4	1	
006	990-73050-404	TAPPING SCREW 5X40	1	
009	275-32710-20	DAMPER COLLAR A	1	
010	219-32750-20	DAMPER A	2	
016	011-32900-80	REAR HANDLE B COMP.	1	
017	725-32161-20	PUSH PIN CAP	1	
018	066-32300-20	STOPPER SPRING	1	
020	064-32530-20	PUSH PIN	1	
026	257-32910-20	SAFETY LEVER	1	
027	060-32910-20	THROTTLE LEVER	1	
028	061-32710-20	THROTTLE LEVER SPRING	1	
033	010-32900-20	REAR HANDLE A	1	
036	990-73050-354	TAPPING SCREW 5X35	2	
039	993-41040-151	HI-LO SCREW 4X15	3	
041	209-32946-20	FRONT HANDLE	1	
042	266-32750-20	DAMPER B	3	
043	276-32710-20	DAMPER COLLAR B	3	
046	990-73050-354	TAPPING SCREW 5X35	1	

C11-12 ECS-3300/B/C/D COVER/CHAIN



REF. NUMBER	PARTS NUMBER	DESCRIPTION	QTY	SERIAL NUMBER
001	109-32770-20	CHAIN BAR, S/NOSE 12 ,	1	
002	108-32815-20	CHAIN BAR S/NOSE 14 ,	1	
003	107-32817-20	CHAIN BAR 16 , 3/8	1	
011	128-32911-20	CHAIN 12 X3/8 ,	1	
012	129-32900-20	CHAIN 14 X3/8 ,	1	
013	130-32817-20	CHAIN 16 X3/8 ,	1	
020	946-32753-20	CHAIN COVER 14	1	
021	943-32713-20	CHAIN COVER 12	1	
030	013-29323-50	COMBI. BOX SPANNER 10X1	1	