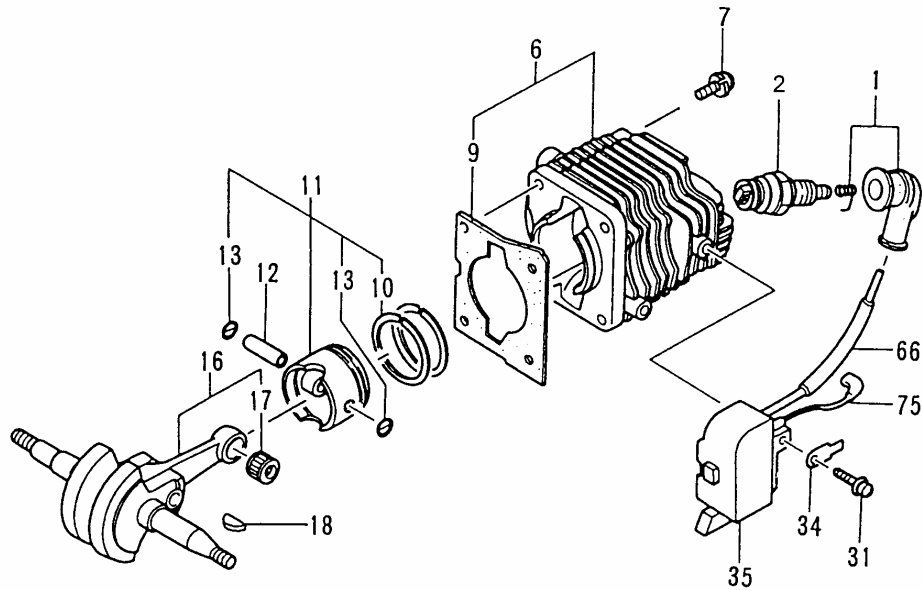
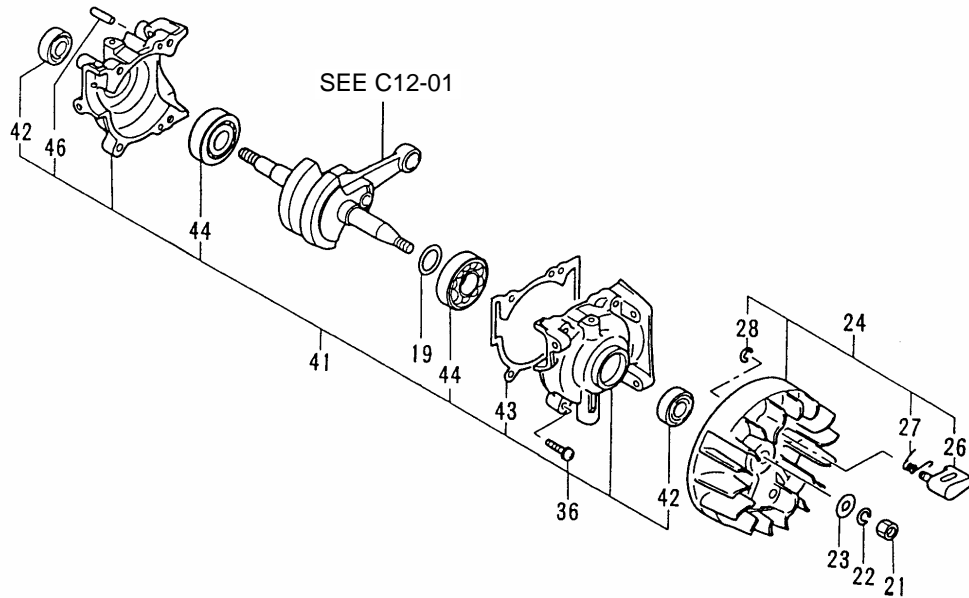


**C12-01 ECS-3350/B/C/D CYLINDER/PISTON/CRANK SHAFT**



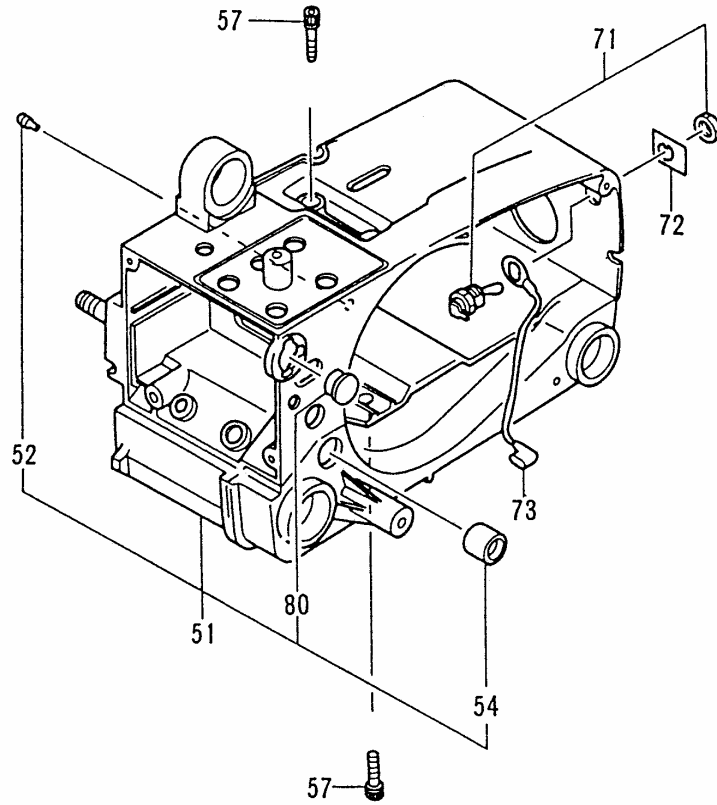
REF. NUMBER	PARTS NUMBER	DESCRIPTION	Q'TY	SERIAL NUMBER
001	157-11666-90	SPARK PLUG CAP ASS'Y	1	
002	018-01805-20	SPARK PLUG CJ8	1	
006	001-01740-90	CYLINDER SET	1	- T249342
006	001-01740-91	CYLINDER SET	1	T249343 -
<b>007</b>	<b>994-61050-164</b>	<b>HEX. HOLE BOLT 5X16S</b>	<b>4</b>	
009	017-01740-20	CYLINDER GASKET	1	
010	041-01730-20	PISTON RING	2	
011	030-01740-90	PISTON SET	1	- T249342
011	030-01741-90	PISTON SET	1	T249343 -
012	037-01400-20	PISTON PIN	1	
013	039-00000-20	PISTON PIN CIRCLIP	2	
016	046-01740-80	CRANK SHAFT COMP.	1	
017	999-62091-325	NEEDLE BRG F-910 1.4X8.5	1	
018	068-10100-20	WOOD-RUFF KEY 3X13X4.5	1	
031	994-16040-186	HIGH TENSION SCREW 4X18	2	
034	205-01700-20	TAB	1	
035	167-21529-80	IGNITION COIL COMP.	1	- S146050
035	167-21540-80	IGNITION COIL COMP.	1	S146051 -
066	755-32050-20	CORD INSULATOR TUBE	1	
075	178-01740-80	CORD, B 70M	1	

**C12-02 ECS-3350/B/C/D CRANK CASE**



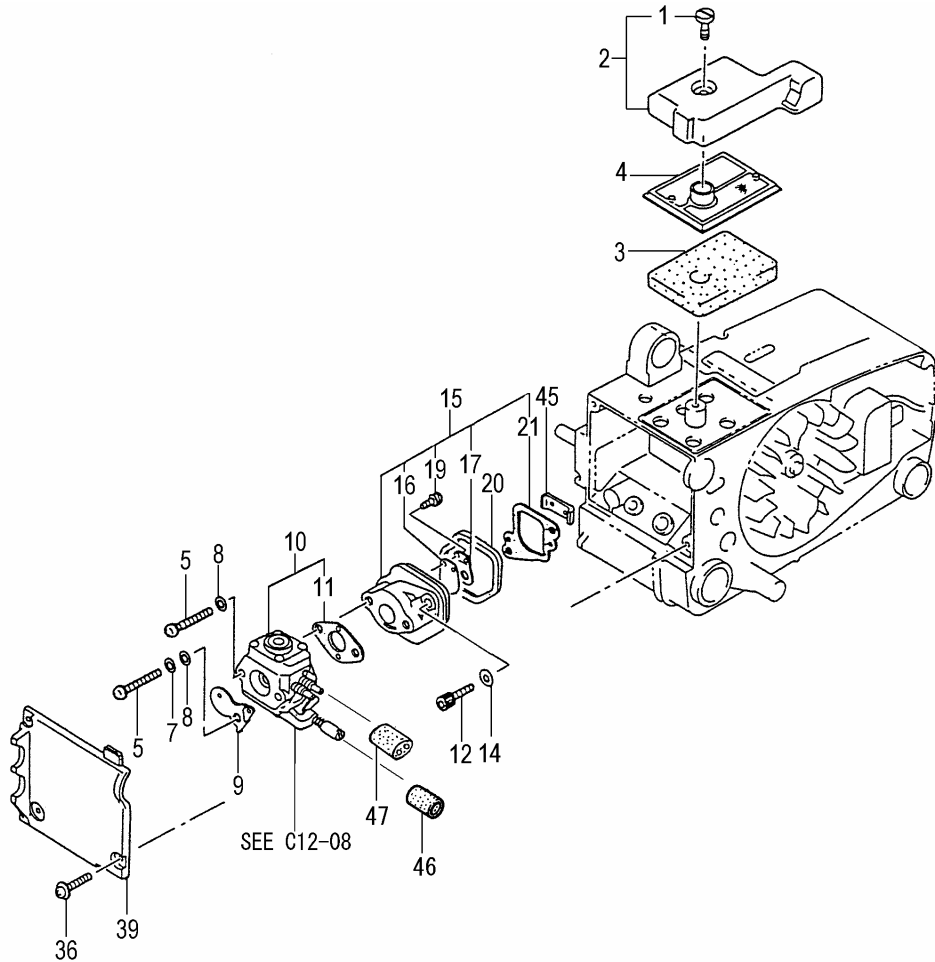
REF. NUMBER	PARTS NUMBER	DESCRIPTION	Q'TY	SERIAL NUMBER
019	071-04063-21	SHIM 0.1	V	
019	071-04063-23	SHIM 0.2	V	
019	071-04063-24	SHIM 0.3	V	
019	071-04063-25	SHIM 0.3	V	Y276701 -
021	066-00000-20	FLYWHEEL NUT 12	1	
022	992-10070-012	S.WASHER 7	1	
023	992-01070-011	WASHER 7	1	
024	155-21529-91	MAGNETO ROTOR ASS'Y	1	- S146050
024	155-21540-90	MAGNETO ROTOR ASS'Y	1	S146051 -
026	788-01740-20	STARTER PAWL	2	
027	790-01740-20	STARTER PAWL SPRING	2	
028	993-55040-001	STOP RING	2	
<b>036</b>	<b>994-61050-204</b>	<b>HEX. HOLE BOLT 5X20/S</b>	<b>4</b>	
041	072-01740-93	CRANK CASE ASS'Y	1	- <b>C143200</b>
<b>041</b>	<b>072-01740-94</b>	<b>CRANK CASE ASS'Y</b>	<b>1</b>	<b>C143201 -</b>
042	999-66122-200	OIL SEAL TB 12227	2	
043	090-01740-21	CRANK CASE GASKET	1	- V030940
043	090-01741-20	CRANK CASE GASKET	1	- <b>C143200</b>
<b>043</b>	<b>090-0174G-20</b>	<b>CRANK CASE GASKET</b>	<b>1</b>	<b>C143201 -</b>
044	999-61620-106	BALL BEARING 6201 A2C3,32	2	
046	999-05250-980	NEEDLE ROLLER 2.5X9.8	1	

**C12-03 ECS-3350/B/C/D ENGINE CASE**



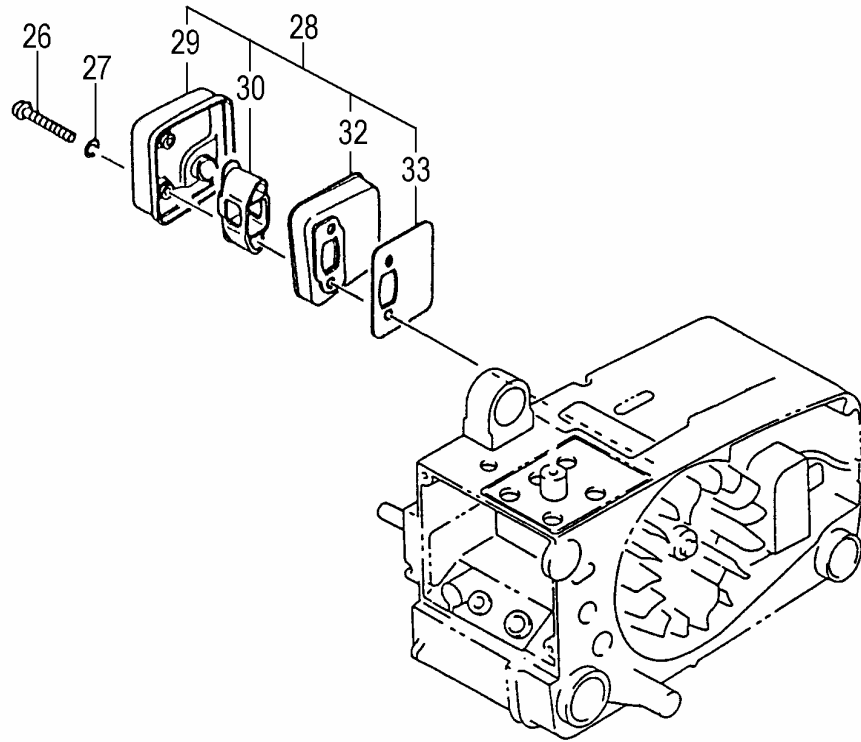
REF. NUMBER	PARTS NUMBER	DESCRIPTION	Q'TY	SERIAL NUMBER
051	560-32900-90	ENGINE CASE ASSY, VERMI	1	- V030940
051	560-32904-90	ENGINE CASE, VERMILION	1	V030941 -
052	562-04060-20	AIR VENT VALVE B	1	
054	645-01750-90	AIR VENT VALVE SET	1	
057	994-63050-204	HEX.HOLE BOLT 5X20PS	4	
071	162-01570-90	STOP SWITCH ASS'Y	1	
072	183-01300-20	SWITCH NAME PLATE	1	
073	274-01710-80	EARTH CORD COMP.	1	
080	052-32900-21	GROMMET A	1	- V030940

**C12-04 ECS-3350/B/C/D AIR CLEANER**



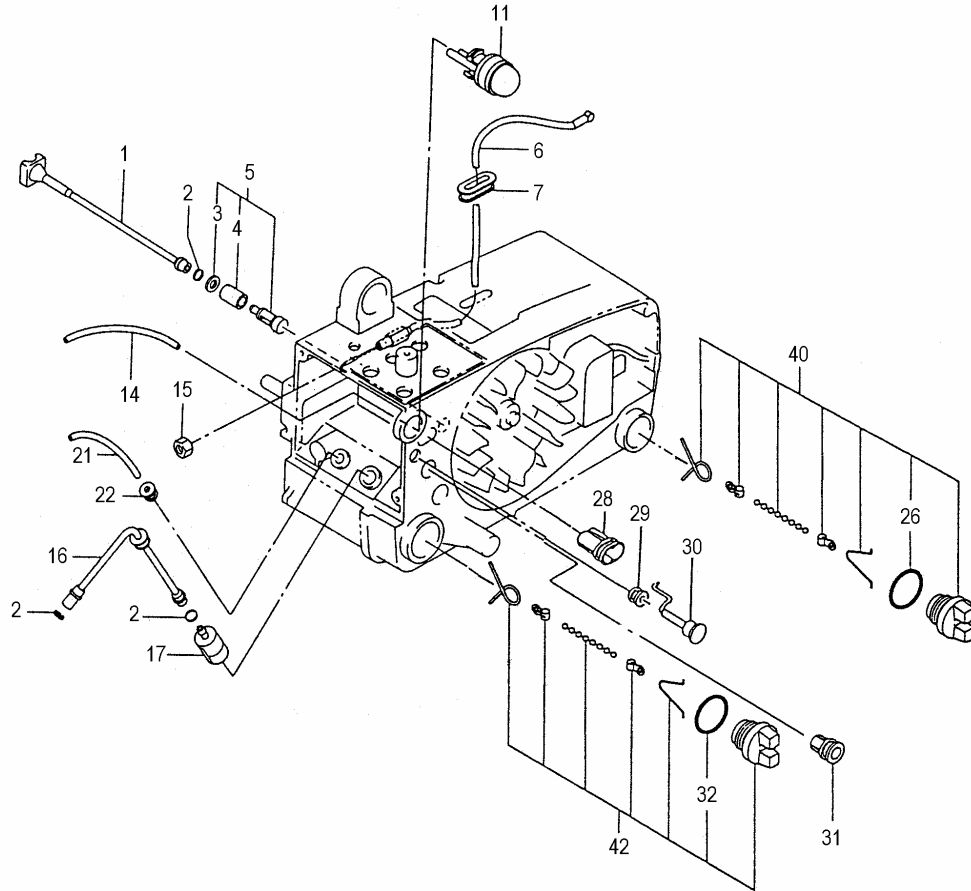
REF. NUMBER	PARTS NUMBER	DESCRIPTION	Q'TY	SERIAL NUMBER
001	380-0631A-20	CLEANER COVER BOLT	1	
002	051-32900-91	CLEANER COVER A SET, SP	1	
003	446-01740-20	AIRCLEANER SPONGE	1	
004	420-01740-80	AIRCLEANER ELEMENT COM	1	
005	994-14050-451	SCREW 5X45S	2	
007	992-00050-011	SMALL WASHER 5	1	
008	708-32350-20	CHOKE VALVE SHIM	2	
009	700-32918-20	CHOKE VALVE	1	
010	455-32911-90	CARBURETOR SET WT516A	1	- V030940
010	455-32915-90	CARBURETOR SET, WT-517A	1	V030941 -
011	402-01740-20	CARBURETOR GASKET	1	
012	994-61050-204	HEX. HOLE BOLT 5X20/S	2	
014	992-00050-011	SMALL WASHER 5	2	
015	404-01740-91	CARBURETOR INSULATOR S	1	- C143200
<b>015</b>	<b>404-0174G-90</b>	<b>INSULATOR SET</b>	<b>1</b>	<b>C143201 -</b>
016	394-01700-20	REED VALVE	1	- C143200
<b>016</b>	<b>394-0174G-20</b>	<b>REED VALVE</b>	<b>1</b>	<b>C143201 -</b>
017	395-01730-20	REED VALVE HOLDER, STN	1	- C143200
<b>017</b>	<b>394-0174G-20</b>	<b>REED VALVE</b>	<b>1</b>	<b>C143201 -</b>
019	990-15030-121	BINDING HEAD SCREW 3X12	2	
020	409-01700-20	CARBURETOR INSULATOR P	1	
021	403-01740-21	INLET MANIFOLD GASKET	1	- C143200
<b>021</b>	<b>403-0174G-20</b>	<b>INSULATOR GASKET</b>	<b>1</b>	<b>C143201 -</b>
036	990-75045-144	TAPPING SCREW 4.5X14	3	
039	152-32900-20	AIRCLEANER COVER B, BLA	1	- S146050
039	152-3290J-21	AIRCLEANER COVER B	1	S146051 -
045	129-01730-20	SEAL COVER	1	
046	191-32970-20	IDLE SPONGE 25L	1	Z178101 -
047	191-32964-20	SPONGE H/L 10L	1	Z178101 -

**C12-05 ECS-3350/B/C/D MUFFLER**



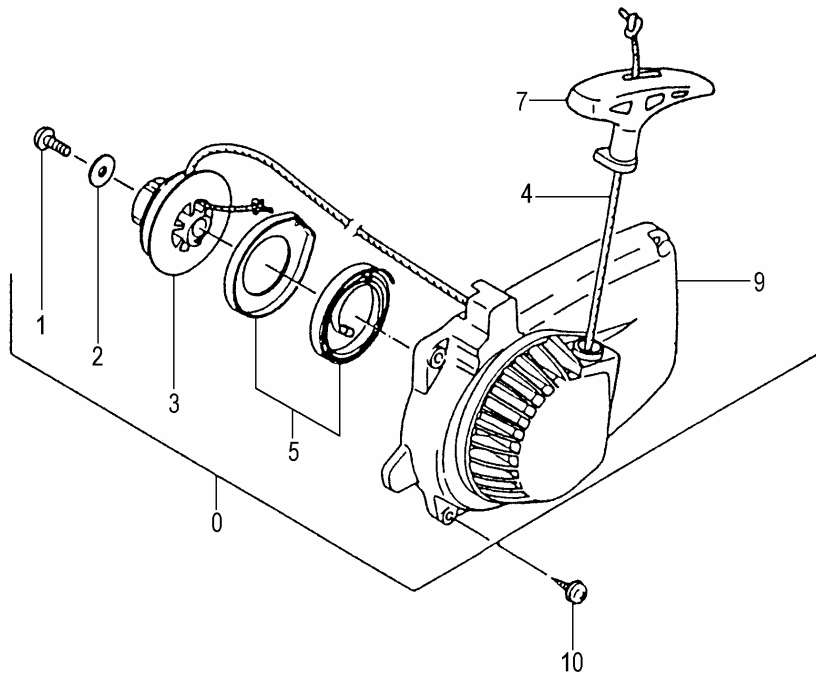
REF. NUMBER	PARTS NUMBER	DESCRIPTION	Q'TY	SERIAL NUMBER
026	990-11050-351	SCREW 5X35	2	
027	992-01050-011	WASHER 5	2	
028	704-01740-90	MUFFLER SET	1	
029	717-01712-80	MUFFLER BODY B COMP.	1	
030	724-01700-20	MUFFLER FITTING METAL	1	
032	716-01700-80	MUFFLER BODY A COMP.	1	
033	737-01700-20	MUFFLER GASKET	1	

**C12-06 ECS-3350/B/C/D FUEL/OIL FILTER**



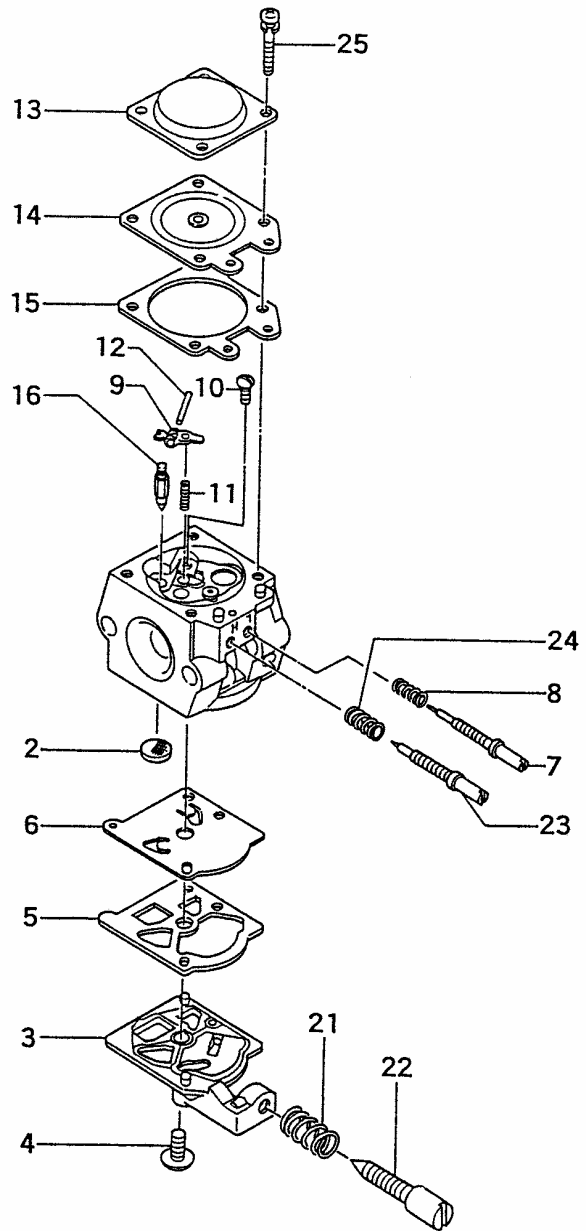
REF. NUMBER	PARTS NUMBER	DESCRIPTION	Q'TY	SERIAL NUMBER
001	505-32710-20	OIL PIPE B	1	
002	680-04019-21	CLIP 7	3	
003	992-01050-011	WASHER 5	1	
004	487-32712-20	OIL FILTER	1	
005	486-32710-90	OIL FILTER BODY ASS'Y	1	
006	885-01740-81	THROTTLE WIRE COMP.,SP	1	
007	964-01710-20	WIRE GROMMET	1	
011	442-25143-80	PRIMING PUMP COMP.	1	V030941 -
014	700-02504-04	FUEL PIPE 2.5X4X42	1	V030941 -
015	991-01060-013	NUT 6	1	
016	678-01740-20	RUBBER PIPE	1	
017	675-11600-90	PUMP FILTER BODY ASS'Y	1	
021	700-02504-15	FUEL PIPE 2.5X4X150	1	V030941 -
022	534-32710-20	RETURN GROMMET	1	V030941 -
026	999-67018-000	O-RING P-18	1	
028	190-32710-20	ADJUSTER CAP	1	
029	707-32710-20	GROMMET	1	
030	704-32710-80	CHOKE BUTTON COMP.	1	
031	191-32710-20	GROMMET	1	
032	999-67020-000	O-RING P-20	1	
040	642-32719-90	OIL TANK CAP ASS'Y	1	
042	635-32719-90	FUEL TANK CAP ASS'Y	1	

**C12-07 ECS-3350/B/C/D RECOIL STARTER**



REF. NUMBER	PARTS NUMBER	DESCRIPTION	Q'TY	SERIAL NUMBER
000	756-01740-90	RECOIL STARTER ASS'Y, BL	1	
001	990-72050-144	TAPPING SCREW 5X14	1	
002	368-32350-20	BRAKE SHAFT WASHER	1	
003	774-01740-20	STARTER PULLEY	1	
004	783-01740-20	STARTER ROPE 3X890	1	
005	778-01740-90	RECOIL SPRING CASE	1	
007	785-01740-20	STARTER HANDLE	1	
009	112-01740-80	FANCASE COMP.,BLACK	1	
010	990-72045-204	TAPPING SCREW 4.5X20	4	

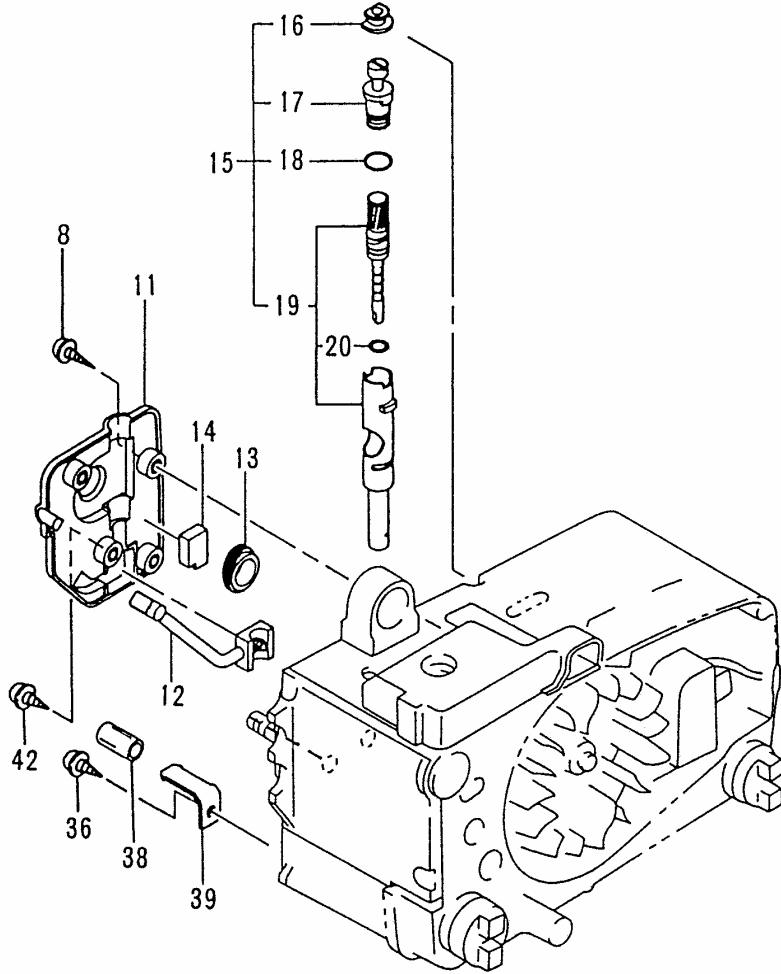
**C12-08 ECS-3350/B/C/D CARBURETOR**



REF. NUMBER	PARTS NUMBER	DESCRIPTION	Q'TY	SERIAL NUMBER
002	578-25007-20	INLET SCREEN	1	
003	575-25028-20	PUMP BODY	1	
004	514-25001-20	SET SCREW	1	
005	577-25007-20	PUMP GASKET	1	
006	576-25006-20	PUMP DIAPHRAGM	1	
007	461-25027-20	LOW ADJUST SCREW	1	
008	623-25032-20	HIGH/LOW ADJUST SPRING	1	
009	473-25001-20	VALVE HINGE	1	
010	546-25001-20	HINGE PIN SET SCREW	1	
011	477-25013-20	VALVE SPRING	1	- S146050
011	477-25080-20	VALVE SPRING	1	- V245900
011	477-25088-20	VALVE SPRING	1	V245901 -
012	605-25001-20	HINGE PIN	1	
013	476-25004-20	DIAPHRAGM COVER	1	
014	474-25001-80	METERING DIAPHRAGM CO	1	
015	475-25038-20	DIAPHRAGM GASKET	1	
016	603-25001-20	NEEDLE VALVE	1	- T021363
016	603-25012-20	NEEDLE VALVE #	1	T021364 -
021	463-25006-20	IDLE ADJUST SPRING	1	
022	462-25016-20	IDLE ADJUST SCREW	1	
023	460-25027-20	HIGH ADJUST SCREW	1	
024	485-25040-20	HIGH ADJUSTMENT SPRING	1	
025	548-25012-20	SET SCREW	4	

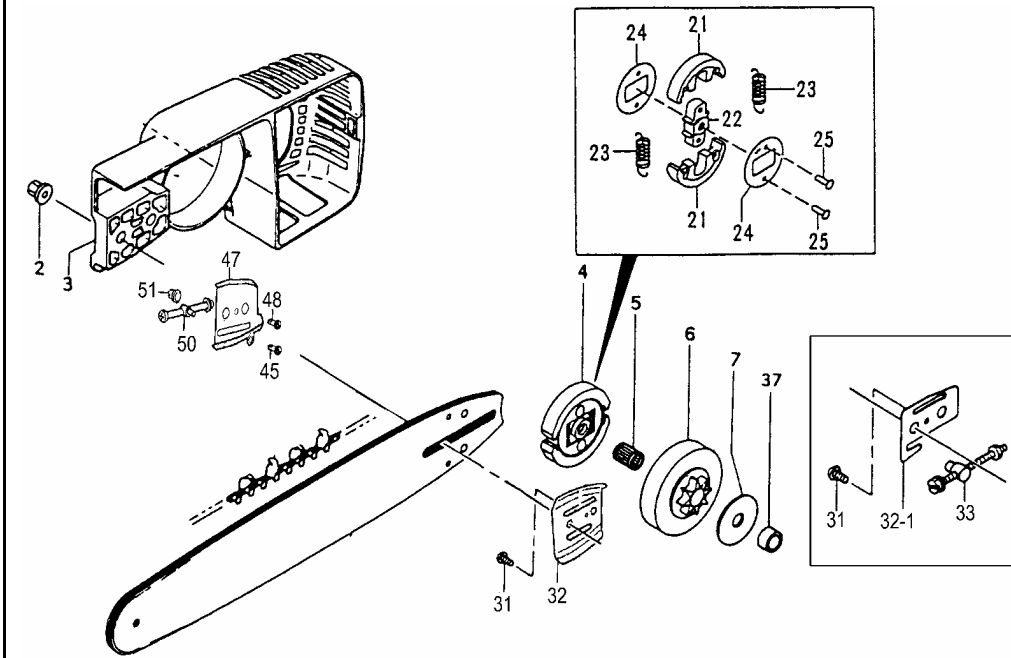


**C12-09 ECS-3350/B/C/D OIL PUMP**



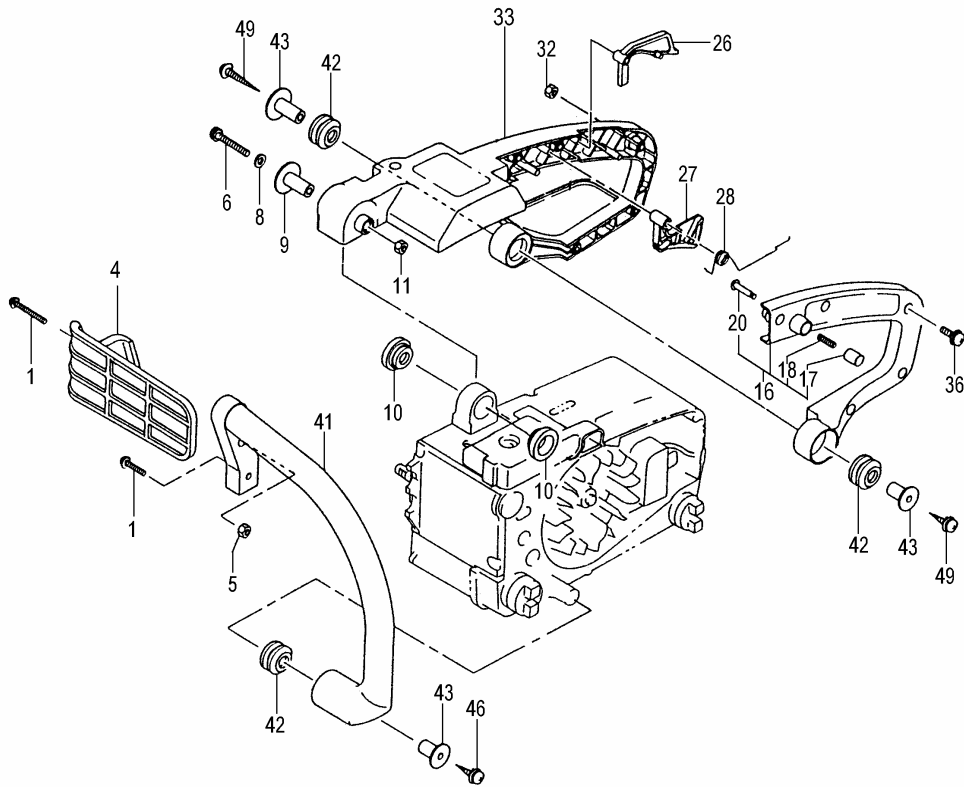
REF. NUMBER	PARTS NUMBER	DESCRIPTION	Q'TY	SERIAL NUMBER
008	994-16050-141	SCREW 5X14/WS	2	
011	097-32900-20	OIL PUMP COVER	1	
012	515-32710-20	OIL PIPE A	1	
013	084-32900-20	SCREW GEAR	1	
014	567-01700-20	AIR VENT SPONGE	1	
015	144-32902-90	OIL PUMP ASS'Y	1	
016	488-32710-21	OIL ADJUST GROMMET	1	
017	501-32710-21	OIL PUMP ADJUSTER	1	
018	999-67006-000	O-RING P-6	1	
019	088-3277A-91	OIL PUMP CASE SET, SPARE	1	
020	999-67006-000	O-RING P-6	1	
036	990-72050-144	TAPPING SCREW 5X14	1	
038	700-07105-02	VINYL PIPE 7X10.5X20	1	
039	125-32710-20	CHAIN CATCHER	1	
042	990-75045-144	TAPPING SCREW 4.5X14	2	

**C12-10 ECS-3350/B/C/D CLUTCH/CHAIN BRAKE**



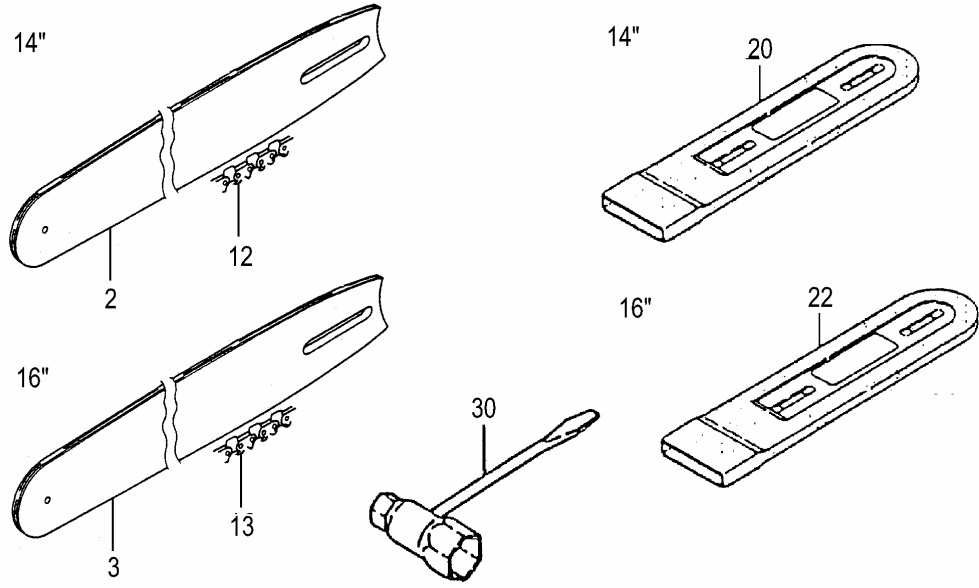
REF. NUMBER	PARTS NUMBER	DESCRIPTION	Q'TY	SERIAL NUMBER
002	121-32530-20	CHAIN BAR CLAMP NUT	1	
003	040-32910-80	SIDE CASE COMP., BLACK	1	- C143200
<b>003</b>	<b>040-32910-81</b>	<b>SIDE CASE COMP., BLACK</b>	1	<b>C143201 -</b>
004	287-01700-81	CLUTCH COMP.	1	
005	999-62101-301	NEEDLE BRG 101310 1.5X7.5	1	
006	310-32900-20	CLUTCH HOUSING COMP.3/8	1	
007	358-04050-20	CLUTCH WASHER	1	
021	345-01700-20	CLUTCH SHOE	2	
022	346-01700-20	CLUTCH BOSS	1	
023	342-01700-20	CLUTCH SPRING	2	
024	348-01700-21	CLUTCH PLATE A	2	
025	992-74004-143	RIVET 4X14	2	
031	993-41040-101	SCREW 4X10	1	
<b>032,1</b>	466-32710-21	PLATE	1	- C143200
<b>032</b>	<b>461-32908-20</b>	<b>GUIDE PLATE A</b>	1	<b>C143201 -</b>
033	116-32710-90	TENSION ADJUSTMENT BOL	1	- S146050
<b>033</b>	<b>116-32735-90</b>	<b>TENSION ADJUSTMENT BOL</b>	1	<b>S146051 -</b>
<b>033</b>	<b>116-32735-90</b>	<b>TENSION ADJUSTMENT BOL</b>	1	- C143200
037	511-32900-20	CRANK SHAFT COLLAR 7.7	1	
<b>045</b>	<b>993-41040-101</b>	<b>SCREW 4X10</b>	1	<b>C143201 -</b>
<b>047</b>	<b>462-32911-20</b>	<b>GUIDE PLATE B</b>	1	<b>C143201 -</b>
<b>048</b>	<b>993-30026-050</b>	<b>SCREW 2.6X5</b>	1	<b>C143201 -</b>
<b>050</b>	<b>116-32911-80</b>	<b>TENSION BOLT COMP.</b>	1	<b>C143201 -</b>
<b>051</b>	<b>301-72000-20</b>	<b>GEAR A</b>	1	<b>C143201 -</b>

**C12-11 ECS-3350/B/C/D HANDLE**



REF. NUMBER	PARTS NUMBER	DESCRIPTION	Q'TY	SERIAL NUMBER
001	994-15050-251	SCREW 5X25 PS	2	
004	805-32750-20	FRONT HAND GUARD	1	
005	991-74050-010	U-NUT 5	1	
006	994-14050-401	SCREW 5X40/S	1	
008	992-00050-011	SMALL WASHER 5	1	
009	275-32710-20	DAMPER COLLAR A	1	
010	219-32750-20	DAMPER A	2	
011	991-74050-010	U-NUT 5	1	
016	011-32901-80	REAR HANDLE B COMP.	1	
017	725-32161-20	PUSH PIN CAP	1	
018	066-32300-20	STOPPER SPRING	1	
020	064-33225-20	PUSH PIN	1	
026	257-32900-20	SAFETY LEVER	1	
027	060-32900-20	THROTTLE LEVER	1	
028	061-32750-20	THROTTLE LEVER SPRING	1	
032	991-01040-011	HEX. NUT 4	5	
033	010-32750-81	REAR HANDLE A BLACK	1	
036	994-16040-226	SCREW 4X22/WS	5	
041	209-32750-80	FRONT HANDLE COMP.	1	
042	266-32750-20	DAMPER B	3	
043	276-32710-20	DAMPER COLLAR B	3	
046	990-73050-354	TAPPING SCREW 5X35	2	
049	990-73050-354	TAPPING SCREW 5X35	2	

**C12-12 ECS-3350/B/C/D COVER/CHAIN**



REF. NUMBER	PARTS NUMBER	DESCRIPTION	Q'TY	SERIAL NUMBER
002	108-32815-20	CHAIN BAR S/NOSE 14 ,	1	
003	107-32817-20	CHAIN BAR 16 , 3/8	1	
012	129-32900-20	CHAIN 14 X3/8 ,	1	
013	130-32817-20	CHAIN 16 X3/8 ,	1	
020	946-32753-20	CHAIN COVER 14	1	
022	947-3281A-20	CHAIN COVER 16 #	1	
030	013-29323-50	COMBI. BOX SPANNER 10X1	1	