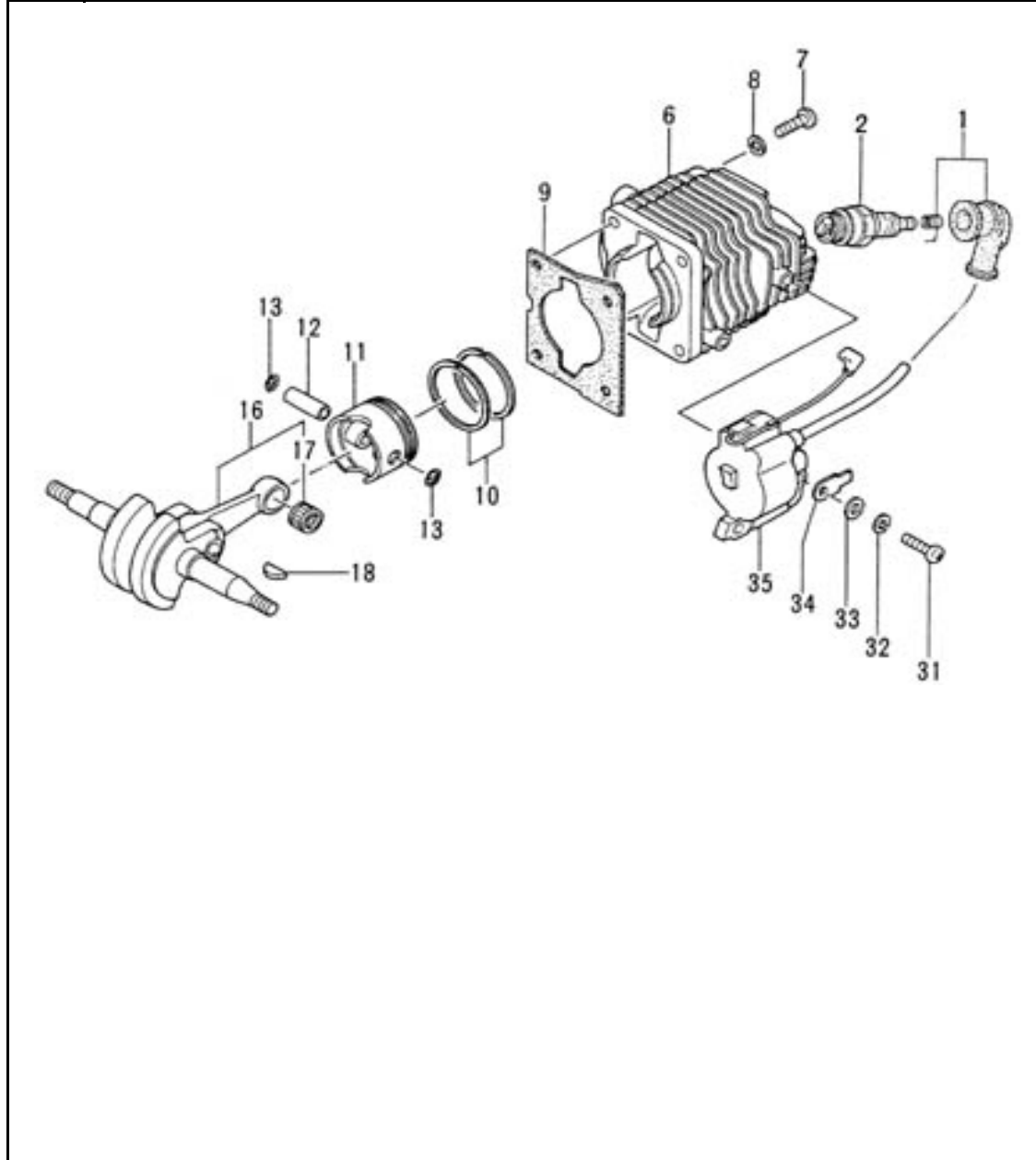


| C01 01 | ECS-290,290B CYLINDER/PISTON/CRANK SHAFT | Parts List | | | | | | | | | | | | | | | | | | | | | | | | | | | | | | | | | | | | | | | | | | | | | | | | | | | | | | | | | | | | | | | | | | | | | | | | | | | | | | | | | | | | | | | | | | | | | | | | | | | | | | | | | | | | | | | | | | | | | | | | | | | | | | | | | | | | | | | | | | | | | | | | | | | | | | | | | | | | | | | | | | | | | | | | | | | | | | | | | | | | | | | | | |
|-------------------|---|---|------|------------|-------------|------|------------|-----|--------------|----------------------|---|--|-----|--------------|------------------|---|--|-----|--------------|----------|---|--|-----|---------------|------------|---|--|-----|---------------|------------|---|--|-----|--------------|-----------------|---|--|-----|--------------|-------------|---|--|-----|--------------|--------|---|--|-----|--------------|------------|---|--|-----|--------------|--------------------|---|--|-----|--------------|-------------------|---|--|-----|---------------|--------------------------|---|--|-----|--------------|------------------------|---|--|-----|---------------|------------|---|--|-----|---------------|------------|---|--|-----|---------------|----------------|---|--|-----|--------------|-----|---|--|-----|--------------|---------------------|---|--|--|--|--|--|--|--|--|--|--|--|--|--|--|--|--|--|--|--|--|--|--|--|--|--|--|--|--|--|--|--|--|--|--|--|--|--|--|--|--|--|--|--|--|--|--|--|--|--|--|--|--|--|--|--|--|--|--|--|--|--|--|--|--|--|--|--|--|--|--|--|--|--|--|--|--|--|--|--|--|--|--|--|--|--|--|--|--|--|--|--|
| | | <table border="1" style="width: 100%; border-collapse: collapse; font-size: small;"> <thead> <tr> <th style="width: 5%;">Ref.</th> <th style="width: 20%;">Part No.</th> <th style="width: 55%;">Description</th> <th style="width: 10%;">Q'ty</th> <th style="width: 10%;">Serial No.</th> </tr> </thead> <tbody> <tr><td>001</td><td>157-11666-90</td><td>SPARK PLUG CAP ASS'Y</td><td style="text-align: center;">1</td><td></td></tr> <tr><td>002</td><td>018-01805-20</td><td>SPARK PLUG BMR6A</td><td style="text-align: center;">1</td><td></td></tr> <tr><td>006</td><td>002-01700-20</td><td>CYLINDER</td><td style="text-align: center;">1</td><td></td></tr> <tr><td>007</td><td>990-11050-161</td><td>SCREW 5X16</td><td style="text-align: center;">4</td><td></td></tr> <tr><td>008</td><td>992-10050-012</td><td>S.WASHER 5</td><td style="text-align: center;">4</td><td></td></tr> <tr><td>009</td><td>017-01700-20</td><td>CYLINDER GASKET</td><td style="text-align: center;">1</td><td></td></tr> <tr><td>010</td><td>041-01700-20</td><td>PISTON RING</td><td style="text-align: center;">2</td><td></td></tr> <tr><td>011</td><td>031-01700-20</td><td>PISTON</td><td style="text-align: center;">1</td><td></td></tr> <tr><td>012</td><td>037-01700-20</td><td>PISTON PIN</td><td style="text-align: center;">1</td><td></td></tr> <tr><td>013</td><td>039-00000-20</td><td>PISTON PIN CIRCLIP</td><td style="text-align: center;">2</td><td></td></tr> <tr><td>016</td><td>046-01700-80</td><td>CRANK SHAFT COMP.</td><td style="text-align: center;">1</td><td></td></tr> <tr><td>017</td><td>999-62091-325</td><td>NEEDLE BRG F-910 1.4X8.5</td><td style="text-align: center;">1</td><td></td></tr> <tr><td>018</td><td>068-10100-20</td><td>WOOD-RUFF KEY 3X13X4.5</td><td style="text-align: center;">1</td><td></td></tr> <tr><td>031</td><td>990-11040-181</td><td>SCREW 4X18</td><td style="text-align: center;">2</td><td></td></tr> <tr><td>032</td><td>992-10040-012</td><td>S.WASHER 4</td><td style="text-align: center;">2</td><td></td></tr> <tr><td>033</td><td>992-00040-011</td><td>SMALL WASHER 4</td><td style="text-align: center;">2</td><td></td></tr> <tr><td>034</td><td>205-01700-20</td><td>TAB</td><td style="text-align: center;">1</td><td></td></tr> <tr><td>035</td><td>167-20507-80</td><td>IGNITION COIL COMP.</td><td style="text-align: center;">1</td><td></td></tr> <tr><td> </td><td> </td><td> </td><td> </td><td> </td></tr> <tr><td> </td><td> </td><td> </td><td> </td><td> </td></tr> <tr><td> </td><td> </td><td> </td><td> </td><td> </td></tr> <tr><td> </td><td> </td><td> </td><td> </td><td> </td></tr> <tr><td> </td><td> </td><td> </td><td> </td><td> </td></tr> <tr><td> </td><td> </td><td> </td><td> </td><td> </td></tr> <tr><td> </td><td> </td><td> </td><td> </td><td> </td></tr> <tr><td> </td><td> </td><td> </td><td> </td><td> </td></tr> <tr><td> </td><td> </td><td> </td><td> </td><td> </td></tr> <tr><td> </td><td> </td><td> </td><td> </td><td> </td></tr> <tr><td> </td><td> </td><td> </td><td> </td><td> </td></tr> <tr><td> </td><td> </td><td> </td><td> </td><td> </td></tr> <tr><td> </td><td> </td><td> </td><td> </td><td> </td></tr> <tr><td> </td><td> </td><td> </td><td> </td><td> </td></tr> <tr><td> </td><td> </td><td> </td><td> </td><td> </td></tr> <tr><td> </td><td> </td><td> </td><td> </td><td> </td></tr> <tr><td> </td><td> </td><td> </td><td> </td><td> </td></tr> <tr><td> </td><td> </td><td> </td><td> </td><td> </td></tr> </tbody> </table> | Ref. | Part No. | Description | Q'ty | Serial No. | 001 | 157-11666-90 | SPARK PLUG CAP ASS'Y | 1 | | 002 | 018-01805-20 | SPARK PLUG BMR6A | 1 | | 006 | 002-01700-20 | CYLINDER | 1 | | 007 | 990-11050-161 | SCREW 5X16 | 4 | | 008 | 992-10050-012 | S.WASHER 5 | 4 | | 009 | 017-01700-20 | CYLINDER GASKET | 1 | | 010 | 041-01700-20 | PISTON RING | 2 | | 011 | 031-01700-20 | PISTON | 1 | | 012 | 037-01700-20 | PISTON PIN | 1 | | 013 | 039-00000-20 | PISTON PIN CIRCLIP | 2 | | 016 | 046-01700-80 | CRANK SHAFT COMP. | 1 | | 017 | 999-62091-325 | NEEDLE BRG F-910 1.4X8.5 | 1 | | 018 | 068-10100-20 | WOOD-RUFF KEY 3X13X4.5 | 1 | | 031 | 990-11040-181 | SCREW 4X18 | 2 | | 032 | 992-10040-012 | S.WASHER 4 | 2 | | 033 | 992-00040-011 | SMALL WASHER 4 | 2 | | 034 | 205-01700-20 | TAB | 1 | | 035 | 167-20507-80 | IGNITION COIL COMP. | 1 | | | | | | | | | | | | | | | | | | | | | | | | | | | | | | | | | | | | | | | | | | | | | | | | | | | | | | | | | | | | | | | | | | | | | | | | | | | | | | | | | | | | | | | | | | | |
| Ref. | Part No. | Description | Q'ty | Serial No. | | | | | | | | | | | | | | | | | | | | | | | | | | | | | | | | | | | | | | | | | | | | | | | | | | | | | | | | | | | | | | | | | | | | | | | | | | | | | | | | | | | | | | | | | | | | | | | | | | | | | | | | | | | | | | | | | | | | | | | | | | | | | | | | | | | | | | | | | | | | | | | | | | | | | | | | | | | | | | | | | | | | | | | | | | | | | | | | | | | | | | | |
| 001 | 157-11666-90 | SPARK PLUG CAP ASS'Y | 1 | | | | | | | | | | | | | | | | | | | | | | | | | | | | | | | | | | | | | | | | | | | | | | | | | | | | | | | | | | | | | | | | | | | | | | | | | | | | | | | | | | | | | | | | | | | | | | | | | | | | | | | | | | | | | | | | | | | | | | | | | | | | | | | | | | | | | | | | | | | | | | | | | | | | | | | | | | | | | | | | | | | | | | | | | | | | | | | | | | | | | | | | |
| 002 | 018-01805-20 | SPARK PLUG BMR6A | 1 | | | | | | | | | | | | | | | | | | | | | | | | | | | | | | | | | | | | | | | | | | | | | | | | | | | | | | | | | | | | | | | | | | | | | | | | | | | | | | | | | | | | | | | | | | | | | | | | | | | | | | | | | | | | | | | | | | | | | | | | | | | | | | | | | | | | | | | | | | | | | | | | | | | | | | | | | | | | | | | | | | | | | | | | | | | | | | | | | | | | | | | | |
| 006 | 002-01700-20 | CYLINDER | 1 | | | | | | | | | | | | | | | | | | | | | | | | | | | | | | | | | | | | | | | | | | | | | | | | | | | | | | | | | | | | | | | | | | | | | | | | | | | | | | | | | | | | | | | | | | | | | | | | | | | | | | | | | | | | | | | | | | | | | | | | | | | | | | | | | | | | | | | | | | | | | | | | | | | | | | | | | | | | | | | | | | | | | | | | | | | | | | | | | | | | | | | | |
| 007 | 990-11050-161 | SCREW 5X16 | 4 | | | | | | | | | | | | | | | | | | | | | | | | | | | | | | | | | | | | | | | | | | | | | | | | | | | | | | | | | | | | | | | | | | | | | | | | | | | | | | | | | | | | | | | | | | | | | | | | | | | | | | | | | | | | | | | | | | | | | | | | | | | | | | | | | | | | | | | | | | | | | | | | | | | | | | | | | | | | | | | | | | | | | | | | | | | | | | | | | | | | | | | | |
| 008 | 992-10050-012 | S.WASHER 5 | 4 | | | | | | | | | | | | | | | | | | | | | | | | | | | | | | | | | | | | | | | | | | | | | | | | | | | | | | | | | | | | | | | | | | | | | | | | | | | | | | | | | | | | | | | | | | | | | | | | | | | | | | | | | | | | | | | | | | | | | | | | | | | | | | | | | | | | | | | | | | | | | | | | | | | | | | | | | | | | | | | | | | | | | | | | | | | | | | | | | | | | | | | | |
| 009 | 017-01700-20 | CYLINDER GASKET | 1 | | | | | | | | | | | | | | | | | | | | | | | | | | | | | | | | | | | | | | | | | | | | | | | | | | | | | | | | | | | | | | | | | | | | | | | | | | | | | | | | | | | | | | | | | | | | | | | | | | | | | | | | | | | | | | | | | | | | | | | | | | | | | | | | | | | | | | | | | | | | | | | | | | | | | | | | | | | | | | | | | | | | | | | | | | | | | | | | | | | | | | | | |
| 010 | 041-01700-20 | PISTON RING | 2 | | | | | | | | | | | | | | | | | | | | | | | | | | | | | | | | | | | | | | | | | | | | | | | | | | | | | | | | | | | | | | | | | | | | | | | | | | | | | | | | | | | | | | | | | | | | | | | | | | | | | | | | | | | | | | | | | | | | | | | | | | | | | | | | | | | | | | | | | | | | | | | | | | | | | | | | | | | | | | | | | | | | | | | | | | | | | | | | | | | | | | | | |
| 011 | 031-01700-20 | PISTON | 1 | | | | | | | | | | | | | | | | | | | | | | | | | | | | | | | | | | | | | | | | | | | | | | | | | | | | | | | | | | | | | | | | | | | | | | | | | | | | | | | | | | | | | | | | | | | | | | | | | | | | | | | | | | | | | | | | | | | | | | | | | | | | | | | | | | | | | | | | | | | | | | | | | | | | | | | | | | | | | | | | | | | | | | | | | | | | | | | | | | | | | | | | |
| 012 | 037-01700-20 | PISTON PIN | 1 | | | | | | | | | | | | | | | | | | | | | | | | | | | | | | | | | | | | | | | | | | | | | | | | | | | | | | | | | | | | | | | | | | | | | | | | | | | | | | | | | | | | | | | | | | | | | | | | | | | | | | | | | | | | | | | | | | | | | | | | | | | | | | | | | | | | | | | | | | | | | | | | | | | | | | | | | | | | | | | | | | | | | | | | | | | | | | | | | | | | | | | | |
| 013 | 039-00000-20 | PISTON PIN CIRCLIP | 2 | | | | | | | | | | | | | | | | | | | | | | | | | | | | | | | | | | | | | | | | | | | | | | | | | | | | | | | | | | | | | | | | | | | | | | | | | | | | | | | | | | | | | | | | | | | | | | | | | | | | | | | | | | | | | | | | | | | | | | | | | | | | | | | | | | | | | | | | | | | | | | | | | | | | | | | | | | | | | | | | | | | | | | | | | | | | | | | | | | | | | | | | |
| 016 | 046-01700-80 | CRANK SHAFT COMP. | 1 | | | | | | | | | | | | | | | | | | | | | | | | | | | | | | | | | | | | | | | | | | | | | | | | | | | | | | | | | | | | | | | | | | | | | | | | | | | | | | | | | | | | | | | | | | | | | | | | | | | | | | | | | | | | | | | | | | | | | | | | | | | | | | | | | | | | | | | | | | | | | | | | | | | | | | | | | | | | | | | | | | | | | | | | | | | | | | | | | | | | | | | | |
| 017 | 999-62091-325 | NEEDLE BRG F-910 1.4X8.5 | 1 | | | | | | | | | | | | | | | | | | | | | | | | | | | | | | | | | | | | | | | | | | | | | | | | | | | | | | | | | | | | | | | | | | | | | | | | | | | | | | | | | | | | | | | | | | | | | | | | | | | | | | | | | | | | | | | | | | | | | | | | | | | | | | | | | | | | | | | | | | | | | | | | | | | | | | | | | | | | | | | | | | | | | | | | | | | | | | | | | | | | | | | | |
| 018 | 068-10100-20 | WOOD-RUFF KEY 3X13X4.5 | 1 | | | | | | | | | | | | | | | | | | | | | | | | | | | | | | | | | | | | | | | | | | | | | | | | | | | | | | | | | | | | | | | | | | | | | | | | | | | | | | | | | | | | | | | | | | | | | | | | | | | | | | | | | | | | | | | | | | | | | | | | | | | | | | | | | | | | | | | | | | | | | | | | | | | | | | | | | | | | | | | | | | | | | | | | | | | | | | | | | | | | | | | | |
| 031 | 990-11040-181 | SCREW 4X18 | 2 | | | | | | | | | | | | | | | | | | | | | | | | | | | | | | | | | | | | | | | | | | | | | | | | | | | | | | | | | | | | | | | | | | | | | | | | | | | | | | | | | | | | | | | | | | | | | | | | | | | | | | | | | | | | | | | | | | | | | | | | | | | | | | | | | | | | | | | | | | | | | | | | | | | | | | | | | | | | | | | | | | | | | | | | | | | | | | | | | | | | | | | | |
| 032 | 992-10040-012 | S.WASHER 4 | 2 | | | | | | | | | | | | | | | | | | | | | | | | | | | | | | | | | | | | | | | | | | | | | | | | | | | | | | | | | | | | | | | | | | | | | | | | | | | | | | | | | | | | | | | | | | | | | | | | | | | | | | | | | | | | | | | | | | | | | | | | | | | | | | | | | | | | | | | | | | | | | | | | | | | | | | | | | | | | | | | | | | | | | | | | | | | | | | | | | | | | | | | | |
| 033 | 992-00040-011 | SMALL WASHER 4 | 2 | | | | | | | | | | | | | | | | | | | | | | | | | | | | | | | | | | | | | | | | | | | | | | | | | | | | | | | | | | | | | | | | | | | | | | | | | | | | | | | | | | | | | | | | | | | | | | | | | | | | | | | | | | | | | | | | | | | | | | | | | | | | | | | | | | | | | | | | | | | | | | | | | | | | | | | | | | | | | | | | | | | | | | | | | | | | | | | | | | | | | | | | |
| 034 | 205-01700-20 | TAB | 1 | | | | | | | | | | | | | | | | | | | | | | | | | | | | | | | | | | | | | | | | | | | | | | | | | | | | | | | | | | | | | | | | | | | | | | | | | | | | | | | | | | | | | | | | | | | | | | | | | | | | | | | | | | | | | | | | | | | | | | | | | | | | | | | | | | | | | | | | | | | | | | | | | | | | | | | | | | | | | | | | | | | | | | | | | | | | | | | | | | | | | | | | |
| 035 | 167-20507-80 | IGNITION COIL COMP. | 1 | | | | | | | | | | | | | | | | | | | | | | | | | | | | | | | | | | | | | | | | | | | | | | | | | | | | | | | | | | | | | | | | | | | | | | | | | | | | | | | | | | | | | | | | | | | | | | | | | | | | | | | | | | | | | | | | | | | | | | | | | | | | | | | | | | | | | | | | | | | | | | | | | | | | | | | | | | | | | | | | | | | | | | | | | | | | | | | | | | | | | | | | |
| | | | | | | | | | | | | | | | | | | | | | | | | | | | | | | | | | | | | | | | | | | | | | | | | | | | | | | | | | | | | | | | | | | | | | | | | | | | | | | | | | | | | | | | | | | | | | | | | | | | | | | | | | | | | | | | | | | | | | | | | | | | | | | | | | | | | | | | | | | | | | | | | | | | | | | | | | | | | | | | | | | | | | | | | | | | | | | | | | | | | | | | | | | | |
| | | | | | | | | | | | | | | | | | | | | | | | | | | | | | | | | | | | | | | | | | | | | | | | | | | | | | | | | | | | | | | | | | | | | | | | | | | | | | | | | | | | | | | | | | | | | | | | | | | | | | | | | | | | | | | | | | | | | | | | | | | | | | | | | | | | | | | | | | | | | | | | | | | | | | | | | | | | | | | | | | | | | | | | | | | | | | | | | | | | | | | | | | | | |
| | | | | | | | | | | | | | | | | | | | | | | | | | | | | | | | | | | | | | | | | | | | | | | | | | | | | | | | | | | | | | | | | | | | | | | | | | | | | | | | | | | | | | | | | | | | | | | | | | | | | | | | | | | | | | | | | | | | | | | | | | | | | | | | | | | | | | | | | | | | | | | | | | | | | | | | | | | | | | | | | | | | | | | | | | | | | | | | | | | | | | | | | | | | |
| | | | | | | | | | | | | | | | | | | | | | | | | | | | | | | | | | | | | | | | | | | | | | | | | | | | | | | | | | | | | | | | | | | | | | | | | | | | | | | | | | | | | | | | | | | | | | | | | | | | | | | | | | | | | | | | | | | | | | | | | | | | | | | | | | | | | | | | | | | | | | | | | | | | | | | | | | | | | | | | | | | | | | | | | | | | | | | | | | | | | | | | | | | | |
| | | | | | | | | | | | | | | | | | | | | | | | | | | | | | | | | | | | | | | | | | | | | | | | | | | | | | | | | | | | | | | | | | | | | | | | | | | | | | | | | | | | | | | | | | | | | | | | | | | | | | | | | | | | | | | | | | | | | | | | | | | | | | | | | | | | | | | | | | | | | | | | | | | | | | | | | | | | | | | | | | | | | | | | | | | | | | | | | | | | | | | | | | | | |
| | | | | | | | | | | | | | | | | | | | | | | | | | | | | | | | | | | | | | | | | | | | | | | | | | | | | | | | | | | | | | | | | | | | | | | | | | | | | | | | | | | | | | | | | | | | | | | | | | | | | | | | | | | | | | | | | | | | | | | | | | | | | | | | | | | | | | | | | | | | | | | | | | | | | | | | | | | | | | | | | | | | | | | | | | | | | | | | | | | | | | | | | | | | |
| | | | | | | | | | | | | | | | | | | | | | | | | | | | | | | | | | | | | | | | | | | | | | | | | | | | | | | | | | | | | | | | | | | | | | | | | | | | | | | | | | | | | | | | | | | | | | | | | | | | | | | | | | | | | | | | | | | | | | | | | | | | | | | | | | | | | | | | | | | | | | | | | | | | | | | | | | | | | | | | | | | | | | | | | | | | | | | | | | | | | | | | | | | | |
| | | | | | | | | | | | | | | | | | | | | | | | | | | | | | | | | | | | | | | | | | | | | | | | | | | | | | | | | | | | | | | | | | | | | | | | | | | | | | | | | | | | | | | | | | | | | | | | | | | | | | | | | | | | | | | | | | | | | | | | | | | | | | | | | | | | | | | | | | | | | | | | | | | | | | | | | | | | | | | | | | | | | | | | | | | | | | | | | | | | | | | | | | | | |
| | | | | | | | | | | | | | | | | | | | | | | | | | | | | | | | | | | | | | | | | | | | | | | | | | | | | | | | | | | | | | | | | | | | | | | | | | | | | | | | | | | | | | | | | | | | | | | | | | | | | | | | | | | | | | | | | | | | | | | | | | | | | | | | | | | | | | | | | | | | | | | | | | | | | | | | | | | | | | | | | | | | | | | | | | | | | | | | | | | | | | | | | | | | |
| | | | | | | | | | | | | | | | | | | | | | | | | | | | | | | | | | | | | | | | | | | | | | | | | | | | | | | | | | | | | | | | | | | | | | | | | | | | | | | | | | | | | | | | | | | | | | | | | | | | | | | | | | | | | | | | | | | | | | | | | | | | | | | | | | | | | | | | | | | | | | | | | | | | | | | | | | | | | | | | | | | | | | | | | | | | | | | | | | | | | | | | | | | | |
| | | | | | | | | | | | | | | | | | | | | | | | | | | | | | | | | | | | | | | | | | | | | | | | | | | | | | | | | | | | | | | | | | | | | | | | | | | | | | | | | | | | | | | | | | | | | | | | | | | | | | | | | | | | | | | | | | | | | | | | | | | | | | | | | | | | | | | | | | | | | | | | | | | | | | | | | | | | | | | | | | | | | | | | | | | | | | | | | | | | | | | | | | | | |
| | | | | | | | | | | | | | | | | | | | | | | | | | | | | | | | | | | | | | | | | | | | | | | | | | | | | | | | | | | | | | | | | | | | | | | | | | | | | | | | | | | | | | | | | | | | | | | | | | | | | | | | | | | | | | | | | | | | | | | | | | | | | | | | | | | | | | | | | | | | | | | | | | | | | | | | | | | | | | | | | | | | | | | | | | | | | | | | | | | | | | | | | | | | |
| | | | | | | | | | | | | | | | | | | | | | | | | | | | | | | | | | | | | | | | | | | | | | | | | | | | | | | | | | | | | | | | | | | | | | | | | | | | | | | | | | | | | | | | | | | | | | | | | | | | | | | | | | | | | | | | | | | | | | | | | | | | | | | | | | | | | | | | | | | | | | | | | | | | | | | | | | | | | | | | | | | | | | | | | | | | | | | | | | | | | | | | | | | | |
| | | | | | | | | | | | | | | | | | | | | | | | | | | | | | | | | | | | | | | | | | | | | | | | | | | | | | | | | | | | | | | | | | | | | | | | | | | | | | | | | | | | | | | | | | | | | | | | | | | | | | | | | | | | | | | | | | | | | | | | | | | | | | | | | | | | | | | | | | | | | | | | | | | | | | | | | | | | | | | | | | | | | | | | | | | | | | | | | | | | | | | | | | | | |
| | | | | | | | | | | | | | | | | | | | | | | | | | | | | | | | | | | | | | | | | | | | | | | | | | | | | | | | | | | | | | | | | | | | | | | | | | | | | | | | | | | | | | | | | | | | | | | | | | | | | | | | | | | | | | | | | | | | | | | | | | | | | | | | | | | | | | | | | | | | | | | | | | | | | | | | | | | | | | | | | | | | | | | | | | | | | | | | | | | | | | | | | | | | |
| | | | | | | | | | | | | | | | | | | | | | | | | | | | | | | | | | | | | | | | | | | | | | | | | | | | | | | | | | | | | | | | | | | | | | | | | | | | | | | | | | | | | | | | | | | | | | | | | | | | | | | | | | | | | | | | | | | | | | | | | | | | | | | | | | | | | | | | | | | | | | | | | | | | | | | | | | | | | | | | | | | | | | | | | | | | | | | | | | | | | | | | | | | | |
| | | | | | | | | | | | | | | | | | | | | | | | | | | | | | | | | | | | | | | | | | | | | | | | | | | | | | | | | | | | | | | | | | | | | | | | | | | | | | | | | | | | | | | | | | | | | | | | | | | | | | | | | | | | | | | | | | | | | | | | | | | | | | | | | | | | | | | | | | | | | | | | | | | | | | | | | | | | | | | | | | | | | | | | | | | | | | | | | | | | | | | | | | | | |
| | | | | | | | | | | | | | | | | | | | | | | | | | | | | | | | | | | | | | | | | | | | | | | | | | | | | | | | | | | | | | | | | | | | | | | | | | | | | | | | | | | | | | | | | | | | | | | | | | | | | | | | | | | | | | | | | | | | | | | | | | | | | | | | | | | | | | | | | | | | | | | | | | | | | | | | | | | | | | | | | | | | | | | | | | | | | | | | | | | | | | | | | | | | |

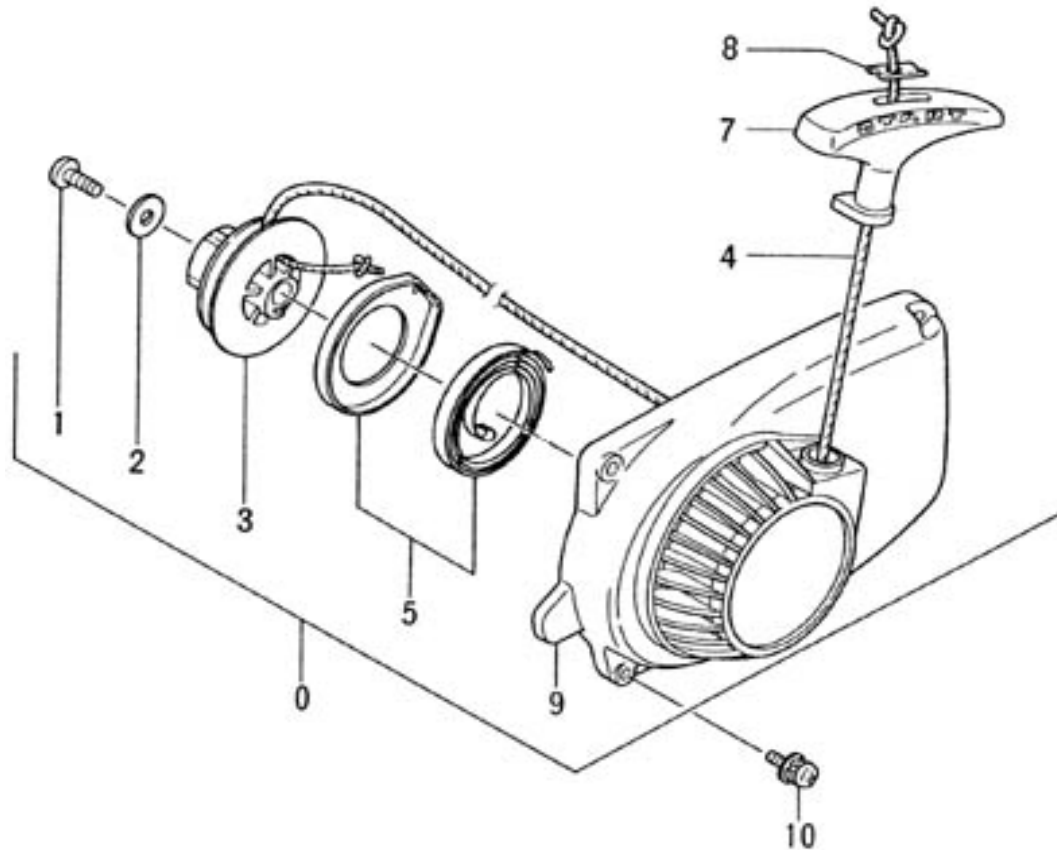


C01
07

ECS-290,290B RECOIL STARTER

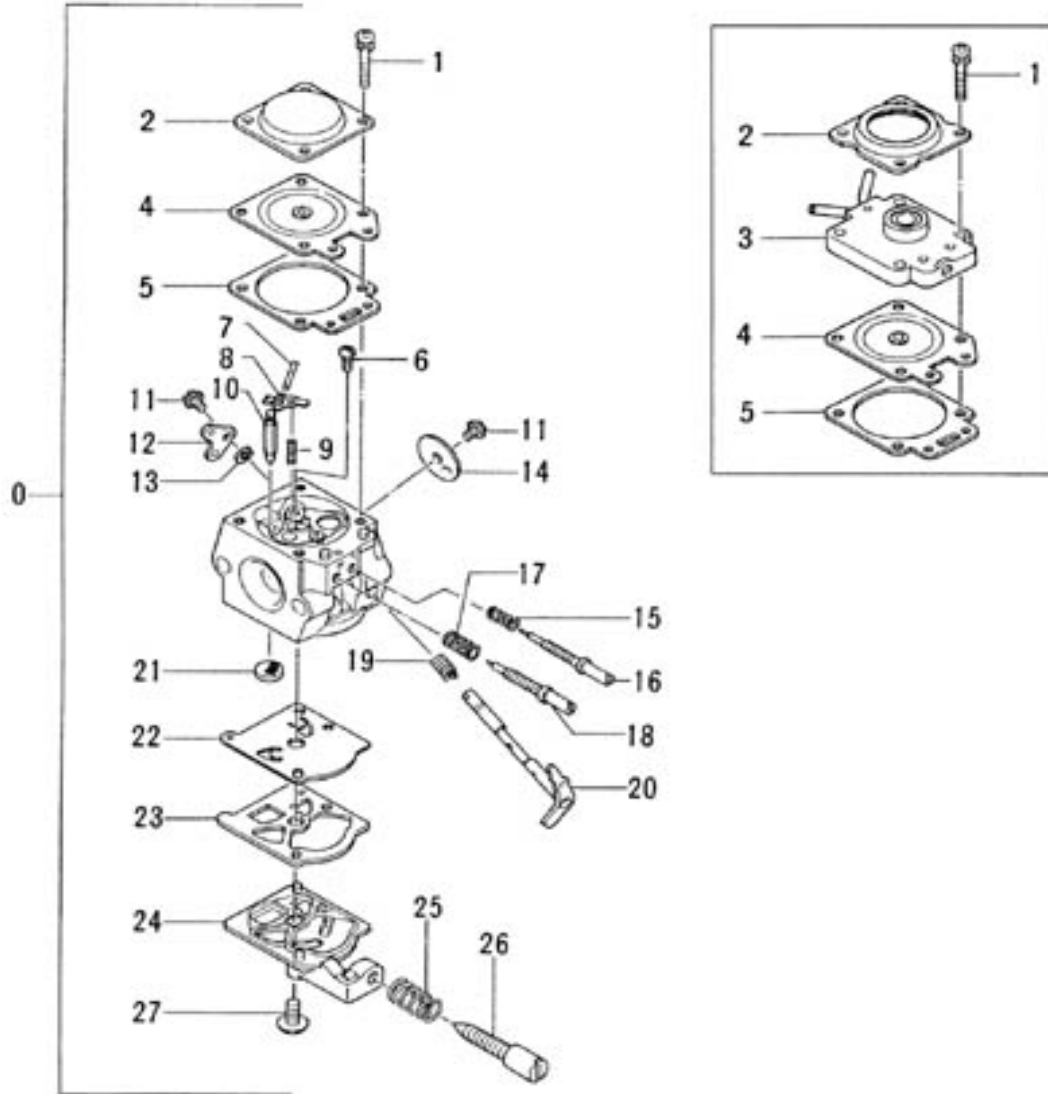
Parts List

| Ref. | Part No. | Description | Q'ty | Serial No. |
|------|---------------|--------------------------|------|------------|
| 000 | 756-01700-91 | RECOIL STARTER ASS'Y | 1 | |
| 001 | 990-15050-121 | BINDING HEAD SCREW 5X12 | 1 | |
| 002 | 786-01700-20 | RECOIL STARTER WASHER | 1 | |
| 003 | 774-01700-20 | STARTER ROPE REEL | 1 | |
| 004 | 783-01700-20 | STARTER ROPE | 1 | |
| 005 | 778-01700-90 | RECOIL SPRING CASE ASS'Y | 1 | |
| 007 | 785-04063-20 | STARTER HANDLE | 1 | |
| 008 | 795-04063-20 | ROPE STOPPER | 1 | |
| 009 | 112-01700-80 | FAN CASE COMP. | 1 | M011640 |
| 009 | 112-01700-81 | FANCASE COMP. | 1 | M011641 |
| 010 | 994-15040-182 | SCREW 4X18/PS | 4 | M011640 |
| 010 | 990-72045-204 | TAPPING SCREW 4.5X20 | 4 | M011641 |
| | | | | |
| | | | | |
| | | | | |
| | | | | |
| | | | | |
| | | | | |
| | | | | |
| | | | | |
| | | | | |
| | | | | |
| | | | | |
| | | | | |
| | | | | |
| | | | | |
| | | | | |
| | | | | |
| | | | | |
| | | | | |
| | | | | |
| | | | | |
| | | | | |



C01
08

ECS-290,290B CARBURETOR

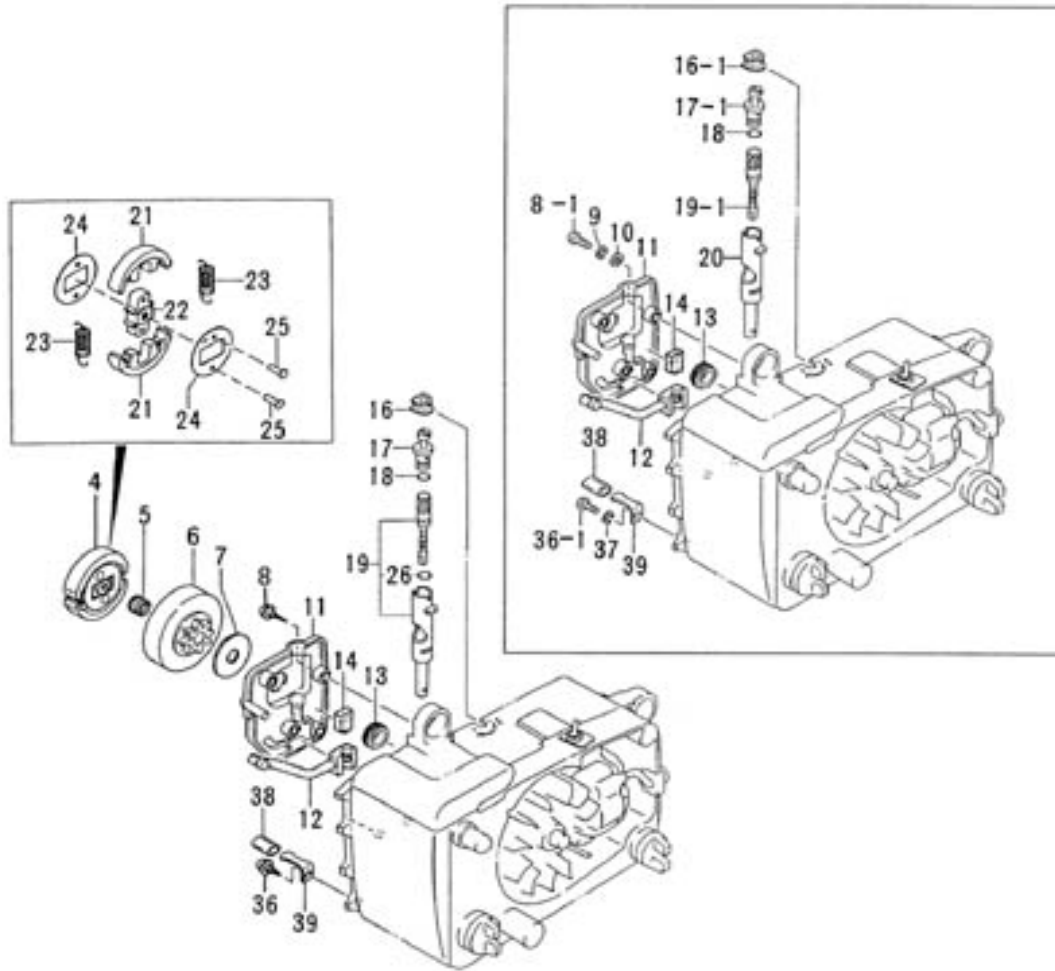


Parts List

| Ref. | Part No. | Description | Q'ty | Serial No. |
|------|--------------|--------------------------|------|------------|
| 000 | 455-25027-90 | CARBURETOR ASS'Y WT-50A | 1 | - F143501 |
| 000 | 455-25038-90 | CARBURETOR ASS'Y WT-65 | 1 | F143502 - |
| 001 | 548-25016-20 | SET SCREW | 4 | - F143501 |
| 001 | 548-25012-20 | SET SCREW | 4 | F143502 - |
| 002 | 476-25016-20 | DIAPHRAGM COVER | 1 | - F143501 |
| 002 | 476-25004-20 | DIAPHRAGM COVER | 1 | F143502 - |
| 003 | 454-25027-80 | AIR PURGE COMP. | 1 | - F143501 |
| 004 | 474-25001-80 | METERING DIAPHRAGM COMP. | 1 | |
| 005 | 475-25016-20 | DIAPHRAGM GASKET | 1 | - F143501 |
| 005 | 475-25038-20 | DIAPHRAGM GASKET | 1 | F143502 - |
| 006 | 546-25001-20 | HINGE PIN SET SCREW | 1 | |
| 007 | 605-25001-20 | HINGE PIN | 1 | |
| 008 | 473-25001-20 | VALVE HINGE | 1 | |
| 009 | 477-25013-20 | VALVE SPRING | 1 | |
| 010 | 603-25001-20 | NEEDLE VALVE | 1 | |
| 011 | 467-25003-20 | SHUTTER SCREW | 2 | |
| 012 | 491-25027-20 | THROTTLE LEVER | 1 | |
| 013 | 489-25007-20 | STOP RING | 1 | |
| 014 | 488-25008-20 | THROTTLE VALVE | 1 | |
| 015 | 623-25001-20 | HIGH/LOW ADJUST SPRING | 1 | |
| 016 | 461-25027-20 | LOW ADJUST SCREW | 1 | |
| 017 | 485-25003-20 | HIGH ADJUST SPRING | 1 | |
| 018 | 460-25027-20 | HIGH ADJUST SCREW | 1 | |
| 019 | 486-25015-20 | THROTTLE SPRING | 1 | |
| 020 | 464-25027-80 | THROTTLE SHAFT COMP. | 1 | |
| 021 | 578-25007-20 | INLET SCREEN | 1 | |
| 022 | 576-25006-20 | PUMP DIAPHRAGM | 1 | |
| 023 | 577-25007-20 | PUMP GASKET | 1 | |
| 024 | 575-25028-20 | PUMP BODY | 1 | |
| 025 | 463-25006-20 | IDLE ADJUST SPRING | 1 | |
| 026 | 462-25016-20 | IDLE ADJUST SCREW | 1 | |
| 027 | 514-25001-20 | SET SCREW | 1 | |
| | | | | |
| | | | | |
| | | | | |

C01
09

ECS-290,290B CLUTCH/OIL PUMP

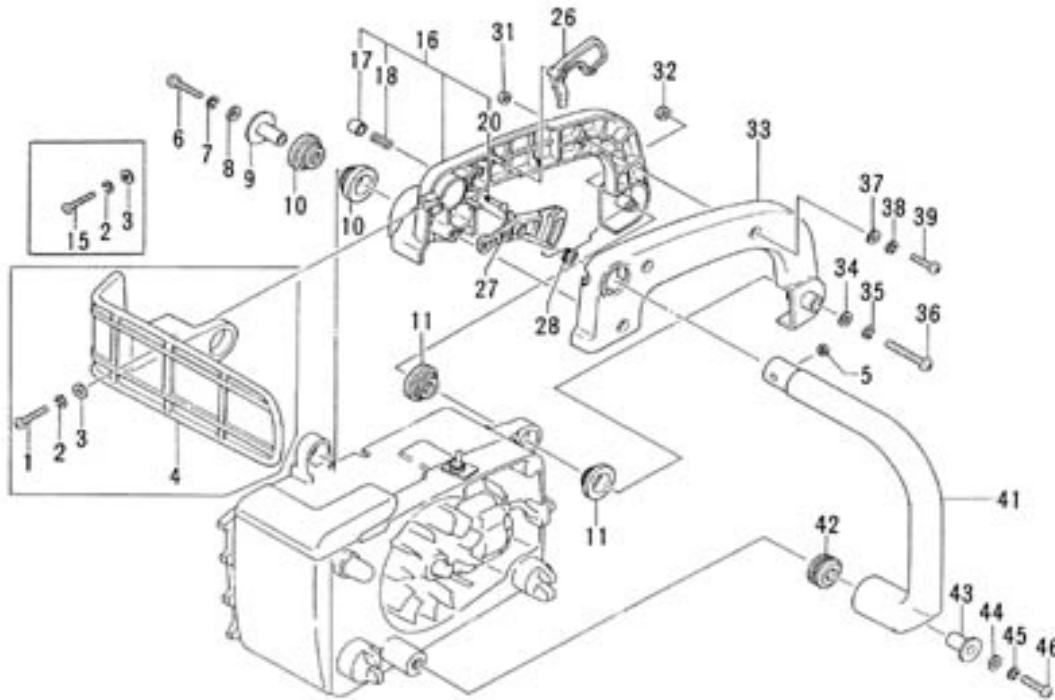


Parts List

| Ref. | Part No. | Description | Q'ty | Serial No. |
|-------|---------------|---------------------------|------|------------|
| 004 | 287-01700-81 | CLUTCH COMP. | 1 | |
| 005 | 999-62101-301 | NEEDLE BRG 101310 1.5X7.5 | 1 | |
| 006 | 310-32710-20 | CLUTCH HOUSING 3/8 | 1 | |
| 007 | 358-04050-20 | CLUTCH WASHER | 1 | |
| 008,1 | 990-11040-121 | SCREW 4X12 | 4 - | M011640 |
| 008 | 990-74045-124 | TAPPING SCREW 4.5X12 | 4 | M011641 - |
| 009 | 992-10040-012 | S.WASHER 4 | 4 - | M011640 |
| 010 | 992-00040-011 | SMALL WASHER 4 | 4 - | M011640 |
| 011 | 097-32710-20 | OIL PUMP COVER | 1 | |
| 012 | 515-32710-20 | OIL PIPE A | 1 | |
| 013 | 084-32710-20 | SCREW GEAR | 1 | |
| 014 | 567-01700-20 | AIR VENT SPONGE | 1 | |
| 016,1 | 488-32710-20 | OIL ADJUST GROMMET | 1 - | F131000 |
| 016 | 488-32710-21 | OIL ADJUST GROMMET | 1 | F131001 - |
| 017,1 | 501-32710-20 | OIL PUMP ADJUSTER | 1 - | F131000 |
| 017 | 501-32710-21 | OIL PUMP ADJUSTER | 1 | F131001 - |
| 018 | 999-67006-000 | O-RING P-6 | 1 | |
| 019,1 | 085-32710-20 | PUMP GEAR | 1 - | F131000 |
| 019 | 088-3277A-91 | OIL PUMP CASE SET, SPARE | 1 | F131001 - |
| 020 | 088-32710-20 | OIL PUMP CASE | 1 - | F131000 |
| 021 | 345-01700-20 | CLUTCH SHOE | 2 | |
| 022 | 346-01700-20 | CLUTCH BOSS | 1 | |
| 023 | 342-01700-20 | CLUTCH SPRING | 2 | |
| 024 | 348-01700-20 | CLUTCH PLATE A | 2 | |
| 025 | 992-74004-143 | RIVET 4X14 | 2 | |
| 026 | 999-67006-000 | O-RING P-6 | 1 | N182786 - |
| 036,1 | 990-11050-121 | SCREW 5X12 | 1 - | M011640 |
| 036 | 990-72050-144 | TAPPING SCREW 5X14 | 1 | M011641 - |
| 037 | 992-10050-012 | S.WASHER 5 | 1 - | M011640 |
| 038 | 700-07105-02 | VINYL PIPE | 1 | |
| 039 | 125-32710-20 | CHAIN CATCHER | 1 | |
| | | | | |
| | | | | |
| | | | | |
| | | | | |

C01
11

ECS-290,290B HANDLE



Parts List

| Ref. | Part No. | Description | Q'ty | Serial No. |
|------|---------------|------------------------|------|------------|
| 001 | 990-11040-351 | SCREW 4X35 | 1 | |
| 002 | 992-10040-012 | S.WASHER 4 | 1 | |
| 003 | 992-01040-011 | WASHER 4 | 1 | |
| 004 | 805-32710-80 | FRONT HAND GUARD COMP. | 1 | |
| 005 | 991-78040-010 | NYLON LOCK NUT 4 | 1 | |
| 006 | 990-11050-351 | SCREW 5X35 | 1 | |
| 007 | 992-10050-012 | S.WASHER 5 | 1 | |
| 008 | 992-00050-011 | SMALL WASHER 5 | 1 | |
| 009 | 275-32710-20 | DAMPER COLLAR A | 1 | |
| 010 | 219-32750-20 | DAMPER A | 2 | |
| 011 | 219-32710-20 | DAMPER A | 2 | J075661 - |
| 015 | 990-11040-301 | SCREW 4X30 | 1 | |
| 016 | 011-32710-80 | REAR HANDLE B COMP. | 1 | |
| 017 | 725-32600-20 | PUSH PIN CAP | 1 | |
| 018 | 066-32300-20 | STOPPER SPRING | 1 | |
| 020 | 064-32530-20 | PUSH PIN | 1 | |
| 026 | 257-32710-20 | SAFETY LEVER | 1 | |
| 027 | 060-32710-20 | THROTTLE LEVER | 1 | |
| 028 | 061-32710-20 | THROTTLE LEVER SPRING | 1 | |
| 031 | 991-01040-011 | HEX. NUT 4 | 2 | |
| 032 | 991-01050-011 | HEX. NUT 5 | 1 | |
| 033 | 010-32710-20 | REAR HANDLE A | 1 | |
| 034 | 992-00050-011 | SMALL WASHER 5 | 1 | |
| 035 | 992-10050-012 | S.WASHER 5 | 1 | |
| 036 | 990-11050-401 | SCREW 5X40 | 1 | |
| 037 | 992-00040-011 | SMALL WASHER 4 | 3 | |
| 038 | 992-10040-012 | S.WASHER 4 | 3 | |
| 039 | 990-11040-181 | SCREW 4X18 | 3 | |
| 041 | 209-32710-20 | FRONT HANDLE | 1 | |
| 042 | 266-32750-20 | DAMPER B | 1 | |
| 043 | 276-32710-20 | DAMPER COLLAR B | 1 | |
| 044 | 992-00050-011 | SMALL WASHER 5 | 1 | |
| 045 | 992-10050-012 | S.WASHER 5 | 1 | |
| 046 | 990-11050-301 | SCREW 5X30 | 1 | |
| | | | | |